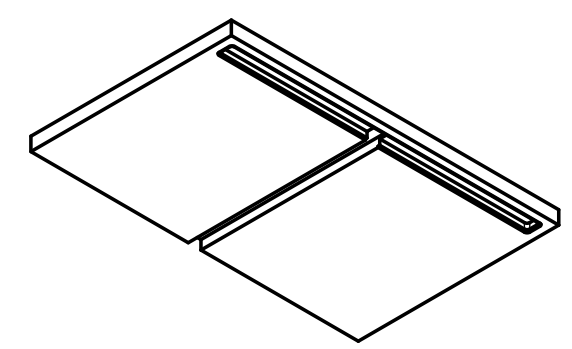
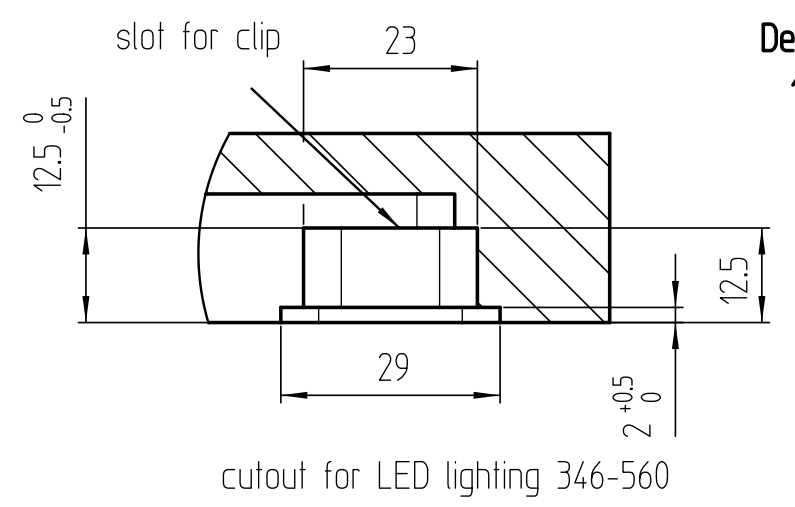
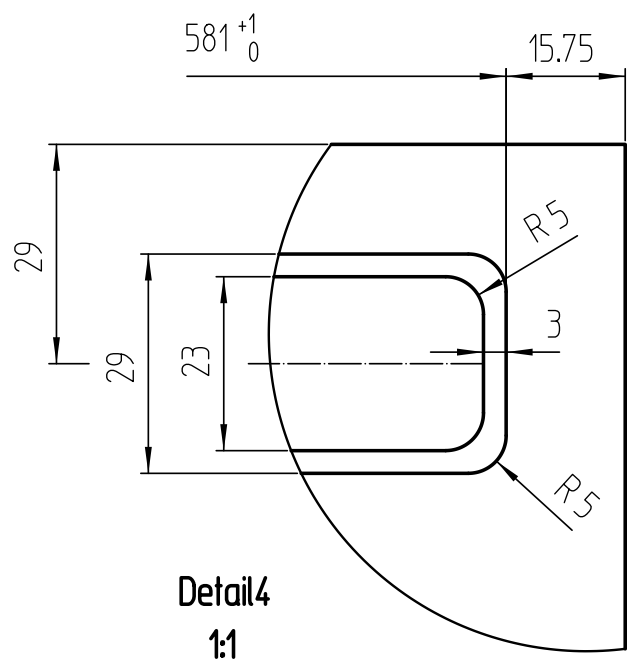
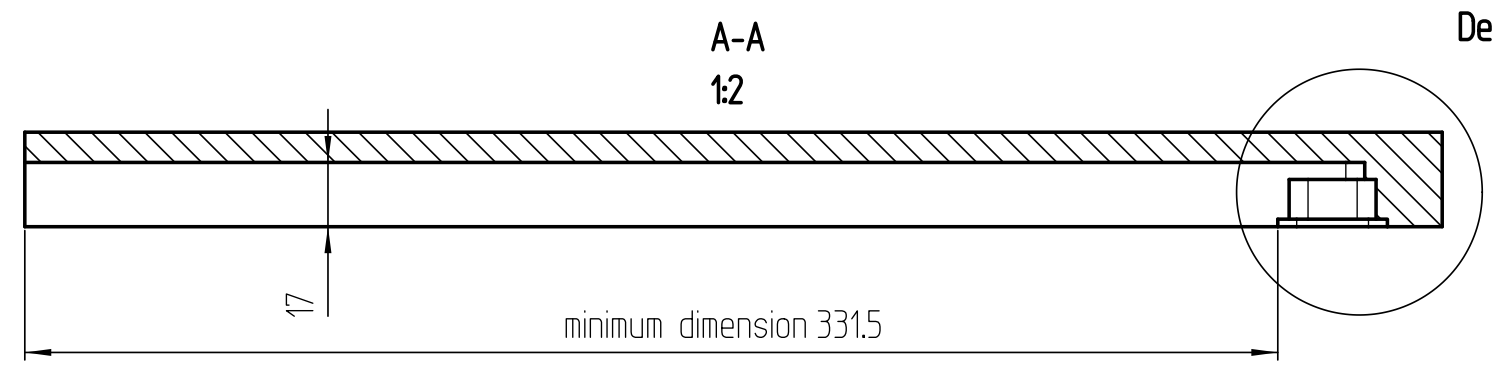
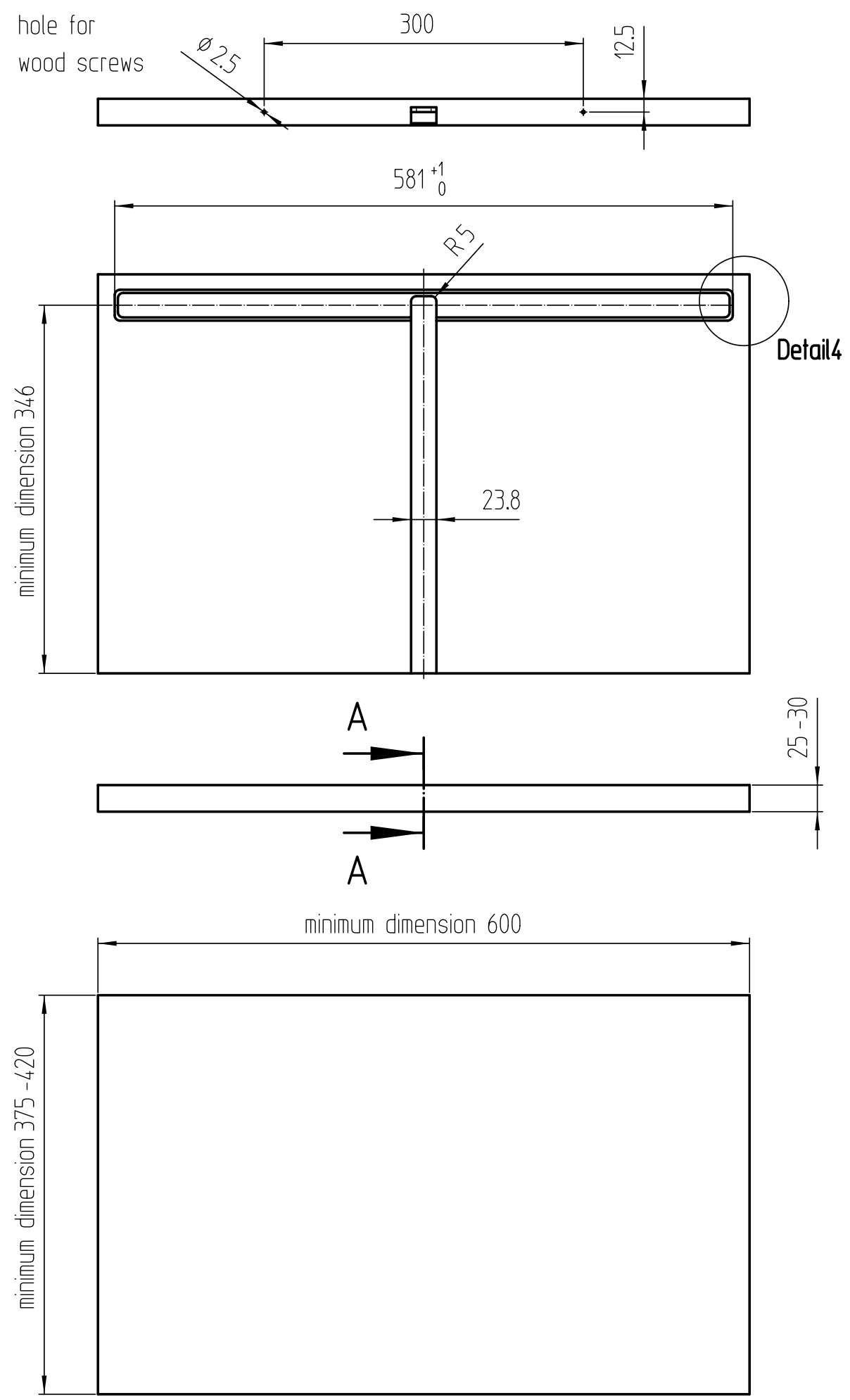


Any intellectual property right subsisting in this drawing is owned by our companies. Transmitting, using or copying without permission is prohibited.  
Ohne unsere Genehmigung darf diese Zeichnung weder kopiert noch an Drittpersonen weitergegeben werden.



Piece	Designation/Description	Drawing/Mat.-Nr.	Pos	Material	DIN/VBN	Remark
Changings	E	Zeichnungsrahmen geändert				22.01.16
	D	Ausfräsung für LED-Leuchte geändert			Teixeira	03.12.14
Used by	Date	Name	First used for	Weight/kg	42,645	Foreign designation
Designed	23.11.12	Ewald_A	Free Dim. Tol.	Main Scale		Format Index Sheet
Released	17.12.18	Studer_A	ISO 2768-mK	1:5		247-841 3 E 1/1
In Change						Replacement for
Designation						single tray with LED-lighting
Project						E01498
Customer						991
www.visplay.com						

