

Qubo 25 P/L

Assembly and operating instructions
USA & CANADA

visplay

play it smart

These instructions facilitate the safe and effective use of the “Qubo 25 P/L” product.

This manual is a component of the product and must be kept on hand in the vicinity of the product at all times.

All personnel who deal with the product must have read this manual. Compliance with all the safety instructions and handling instructions specified in this manual is a prerequisite for safe work.

The illustrations in this manual are provided for the purposes of general understanding and may deviate from the actual version.

All dimensions in these instructions are given in **millimeters** and inches.

Quality assurance

All processes in our company are subject to a comprehensive management system, which conforms to the quality standard ISO 9001 and the environmental standard ISO 14001.

The Zertifizierungs- und Umweltgutachter GmbH (BSI) company audits this management system regularly and documents compliance with the standard via a certificate.

Copyright

This manual is protected by copyright. Its use is permissible as part of the use of the product. Any use other than this is not permitted without the written consent of the manufacturer.

Our General Terms and Conditions apply for all orders.

Content

1 Safety	3
1.1 Explanation of symbols	3
1.2 Intended use	3
1.3 General hazards	3
2 Product description	3
2.1 Overview.....	3
2.2 Brief description.....	3
2.3 Power supply.....	3
3 Technical data	4
3.1 Dimensions.....	4
3.2 Connected loads	4
3.3 Weight loading	4
3.4 Scope of delivery and accessories	4
4 Installation.....	7
4.1 Unpacking	7
4.2 Storage	7
4.3 Requirements for the installation location	7
4.4 Connecting frames with connecting tubes	8
4.5 Alignment.....	8
4.6 Wall fixing brackets	8
4.7 Inserting shelf frames	8
4.8 Wooden shelf at top for LED luminaire.....	9
4.9 Frame insert with LED for glass and metal shelves..	10
4.10 Panel shelves und cable tray.....	10
4.11 Storage compartments with drawer	11
4.12 Hanging rail for central space	12
4.13 Hanging rail for the wall rack	12
4.14 Hanging rail with front arms for the central space...	12
4.15 Visplay connector system.....	13
5 Operation.....	14
5.1 Cleaning.....	14
6 Dismantling and disposal.....	14
6.1 Dismantling	14
6.2 Disposal.....	14

1 Safety

1.1 Explanation of symbols

Safety instructions are indicated in this manual as follows.

⚠ WARNING

A warning notice designated in this manner indicates a potentially dangerous situation that could result in death or serious injury if it is not avoided.

NOTE

A warning notice designated in this manner indicates a potentially dangerous situation that could result in material damage or environmental damage if it is not avoided.

1.2 Intended use

The product is designed exclusively to hold merchandise supports for displaying goods.

Only merchandise supports and consumers that comply with the specifications in this manual are approved.

In the event of misuse, there is the danger that the merchandise supports and the electrical devices will be damaged. This can result in injuries and damage to the product.

Area of implementation

The product may only be used in the commercial area.

Personnel

This manual describes how to install the product and how to operate and clean the product. Consequently after the product is installed this manual must be transferred to the end user.

The contents of the section on "Assembly" is directed at personnel, who undertake the assembly and the electrical connection (e.g. shop fitters, qualified electricians).

The contents of the section on "Handling" is directed at the end users (e.g. sales personnel, visual merchandisers).

1.3 General hazards

- > Use only approved accessories and electrical devices.
- > Comply with the permitted connection, maximum load and equipment values.
- > Do not lean any ladders against the merchandise supports.
- > Do not load the merchandise supports above the maximum load capacity.
- > Do not place any receptacles, from which fluids can escape, on the merchandise supports.
- > Keep moisture away from current conducting components.

2 Product description

2.1 Overview

The Qubo 25 P/L is a structural shelving system, with a high degree of design freedom, for centre room and wall structures.

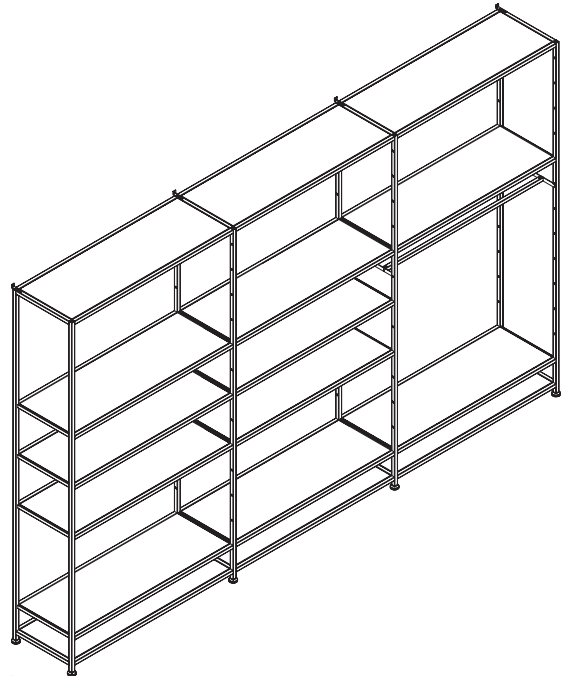


Fig. 1: Qubo 25 P/L

2.2 Brief description

Qubo 25 P/L is a steel frame with or without integrated power tracks for electrified shelves with LED luminaires, with a **87.5 mm/3.445"** hole matrix. This allows the use of shelves with integrated light fittings for additional illumination of the goods on display.

The structural system can be configured in many ways by fitting connecting tubes.

2.3 Power supply

The converter converts the line voltage from 120–240 V AC to 24 V DC.

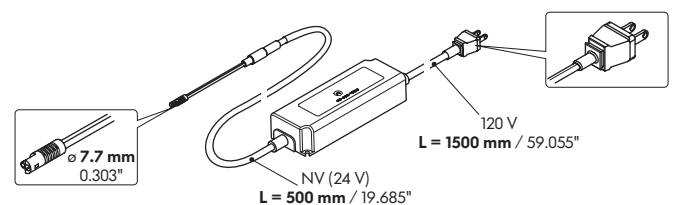


Fig. 2: Converter 24 V

NOTE

If dimmers are to be used, electronically controlled, low-voltage dimmers must be installed!

For an overview of the electrical connection of the frames and the required components see the section on Electrification 4.15

3 Technical data

3.1 Dimensions

Converter dimensions

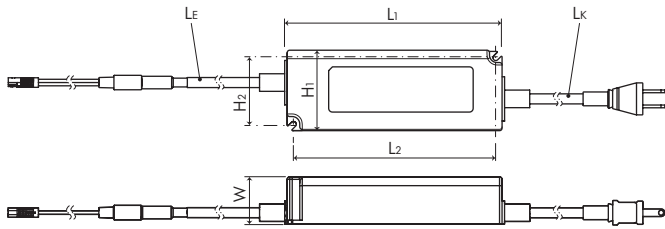


Fig. 3: Converter dimensions

Specification	90 W
Length [L1]	171 mm 6.732 inches
Length [L2]	161 mm 6.339 inches
Width [W]	37.5 mm 1.476 inches
Height [H1]	63 mm 2.480 inches
Height [H2]	53 mm 2.087 inches
Length - connecting cable to the infeed [Lf]	500 mm 19.685 inches
Length - power cable [Lk]	1500 mm 59.055 inches

3.2 Connected loads

General

Specification	Value	Unit
Operating voltage	120 - 240	V AC
Frequency	60	Hz
Nominal voltage (SELV)	24	V DC
Maximum load	90	W
Mains protection class	II	
Maximum housing temperature (converter)	90 194	°C °F

3.3 Weight loading

The maximum load applies including the dead weight and the weight of all components

Frame

Specification	Value	Unit
Maximum load	350 771.61	kg lbs

Shelves

Specification	Value	Unit
Shelf frames for wooden, glass and metal inserts Depth	330/475 12.992/18.701	mm inches
Wooden/glass shelves Max. placement depth	30 66.138 280/425 11.024/16.732	kg lbs mm inches
Metal shelves Max. placement depth	40 88.184 330/475 12.992/18.701	kg lbs mm inches

Hanging rail

Specification	Value	Unit
Maximum load	52 114.639	kg lbs

3.4 Scope of delivery and accessories

3.4.1 Outside frame

Outside frame Steel frame with or without integrated power tracks on one side for supplying electricity to shelves with LEDs. The four spigots on one side are for fitting connecting tubes.

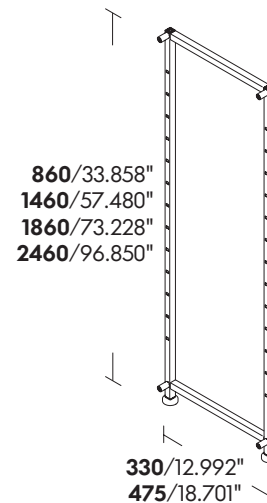


Fig. 4: Outside frame

3.4.2 Centre frame

Outside frame Steel frame with or without integrated power tracks on one side for supplying electricity to shelves with LEDs. The four spigots on both sides are for fitting connecting tubes. The frames in each case can be electrified or non-electrified.

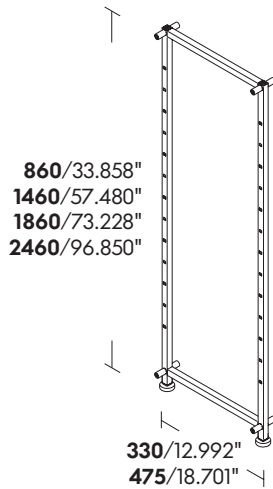


Fig. 5: Centre frame

3.4.3 Connecting tube set

The connecting tubes are screwed on to the four spigots on the frame. Please use the assembly key (111-844.12).

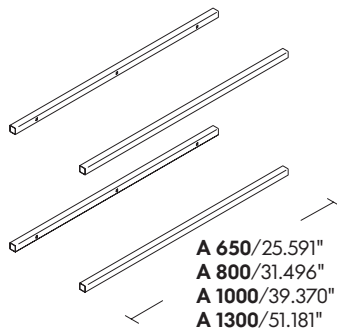


Fig. 6: Connecting tubes

3.4.4 Non-electrified shelf frames

The shelf frames are used to support glass, wooden and metal inserts. The steel frames, including the four shelf supports, are hung between the frames.

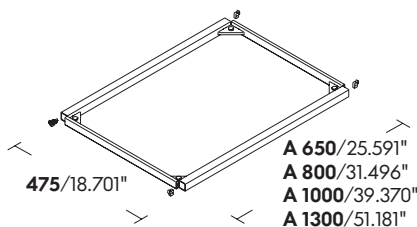


Fig. 7: Shelf frame

- 🔗 Drawing number:
- 994-150 Glass insert **8 mm/0.315"**
- 994-151 Wooden insert **19 mm/0.748"**

3.4.5 Electrified shelf frame

The shelf frames are used to support glass, wooden and metal inserts. The steel frames are hung between the frames using shelf supports. The shelf support set consists of four supports, one of which is for the power take-up (Fig. 8/1). An LED luminaire is built into the electrified shelf frame. The power take-up is at the rear left side, and the LED luminaire is in the frame at the front.

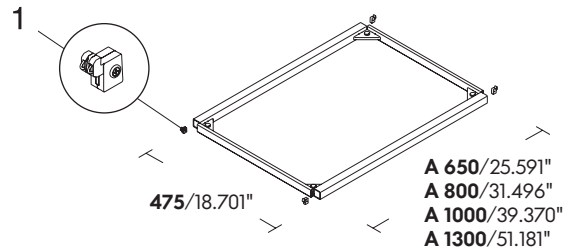


Fig. 8: Electrified shelf frame

- 🔗 Drawing number:
- 994-150 Glass insert **8 mm/0.315"**
- 994-151 Wooden insert **19 mm/0.748"**

3.4.6 Hanging rail for the central space

The hanging rail is hung between the frames.

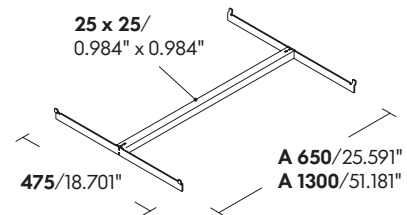


Fig. 9: Hanging rail for the central space

3.4.7 Hanging rail for the wall rack

The hanging rail is off-centre for the wall system.

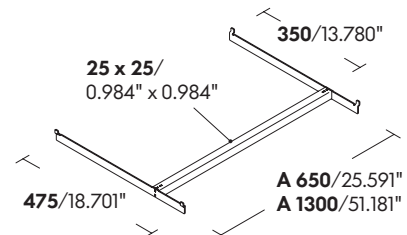


Fig. 10: Hanging rail for the wall rack

3.4.8 Front arm for hanging rail

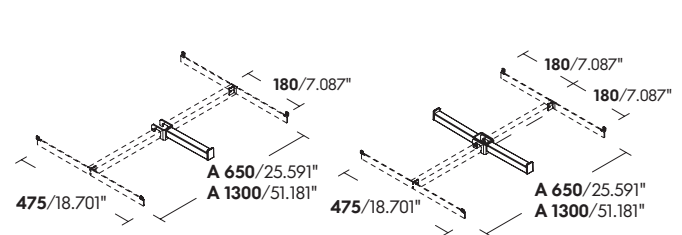


Fig. 11: Hanging rail with front arms clipped in (one or two-sided)

3.4.9 Hanging rail with front arms

The hanging rail with front arms is suspended between the frames.

It comes in the following layouts:

- Hanging rail with one front arm on both sides for **650 mm/25.591"** axis (A)
- Hanging rail with two front arms on both sides for **1300 mm/51.181"** axis (B)

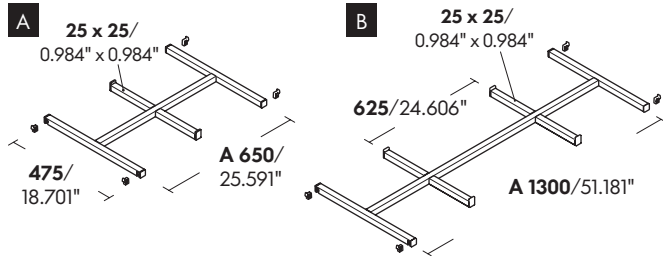


Fig. 12: Hanging rail with front arms

3.4.10 Non-electrified metal shelf

The metal shelves are suspended between the frames using shelf supports.

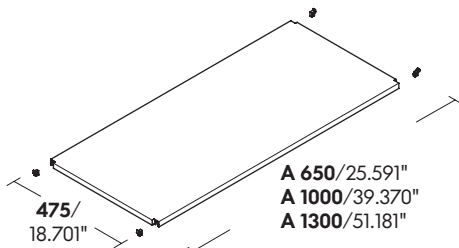


Fig. 13: Non-electrified metal shelf

3.4.11 Electrified metal shelf

The metal shelves are suspended between the frames using shelf supports.

The metal shelves come in the following layouts:

- with integrated LED luminaire on one side
- with integrated LED luminaire on both sides
- with integrated 3V power track on one side
- with integrated 3V power track on both sides
- with integrated LED luminaire and 3V power track on one side
- with integrated LED luminaire and 3V power track on both sides

The shelf support set consists of four supports, once of which is for the power take-up (Fig. 14/1).

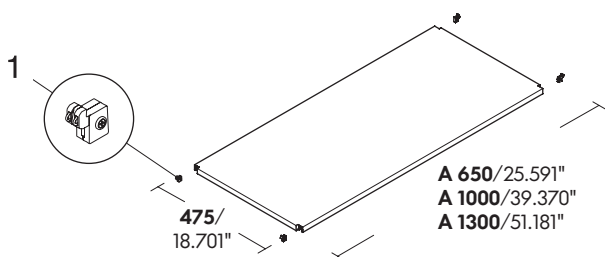


Fig. 14: Electrified metal shelf

3.4.12 Single power adapter with cable and socket

The power take-up can only be fitted to an electrified frame (rear tube). Once inserted, the adapter must be locked into place by pushing it down.

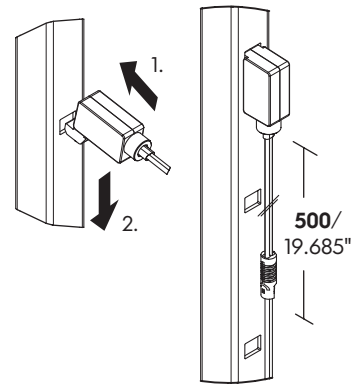


Fig. 15: Single power adapter with cable and socket

Specification	Value	Unit
Nominal voltage	24	V DC
Nominal current	max. 4	A

3.4.13 Wall brackets

The wall brackets ensure that high wall structures (over **1600 mm/62.992"**) are stable and do not tip over.

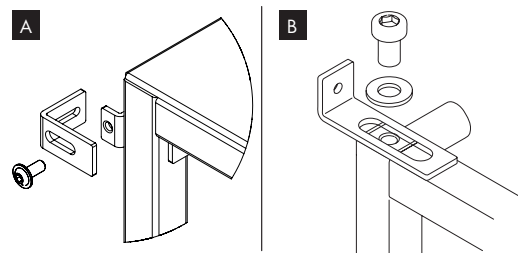


Fig. 16: Wall bracket

NOTE

Wall bracket A is required for structures that contain a glass or metal supports

3.4.14 Bottom beam

The bottom beams for the lower wooden inserts are available separately. The beams are hung in the hole matrix for support.



Fig. 17: Bottom beam

3.4.15 Cable tray

The cable tray including bottom beams act as stowage for converters and cables.

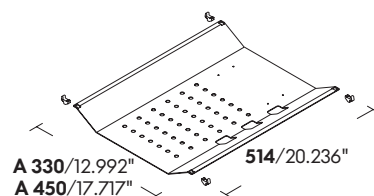


Fig. 18: Cable tray

4 Installation

⚠ WARNING

Risk of injury from falling goods or merchandise supports. If the installation is not executed properly or if the substrate cannot accommodate the necessary loads, the system can fail.

> **Make sure that the fixtures and the base can support a pulling force of 0.1 kN per mounting point.**

4.1 Unpacking

Check the delivery for completeness and transport damage immediately upon receipt.

Proceed as follows if there is apparent transport damage:

- Do not accept delivery, or only accept delivery subject to reservation.
- Note the scope of damage on the transport documents or on the delivery ticket of the freight forwarder.
- Initiate the claim process.

Packaging

The product is safely packed so that transport damage is unlikely.

- Keep the original packaging for later transport.
- Only ship the product in the original packaging.
- Comply with all instructions that are specified on the packaging.

Disposing of packaging material

If packaging material is no longer required, dispose of it in accordance with the locally-applicable disposal regulations.

4.2 Storage

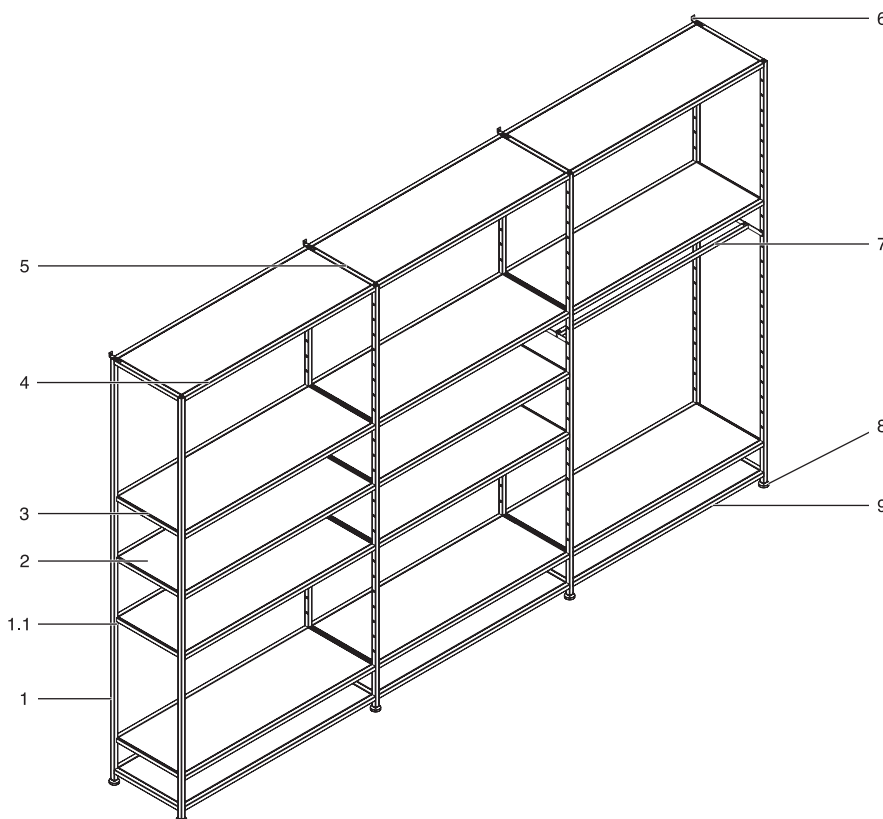
Store the product and its components under the following conditions:

- Do not store outdoors.
- Store in a dry and dust-free location.
- Do not expose to aggressive media.
- Protect from sunlight.
- Avoid mechanical shocks.
- Storage temperature: 23 °C / 73.4 °F
- Relative humidity: 50 %

4.3 Requirements for the installation location

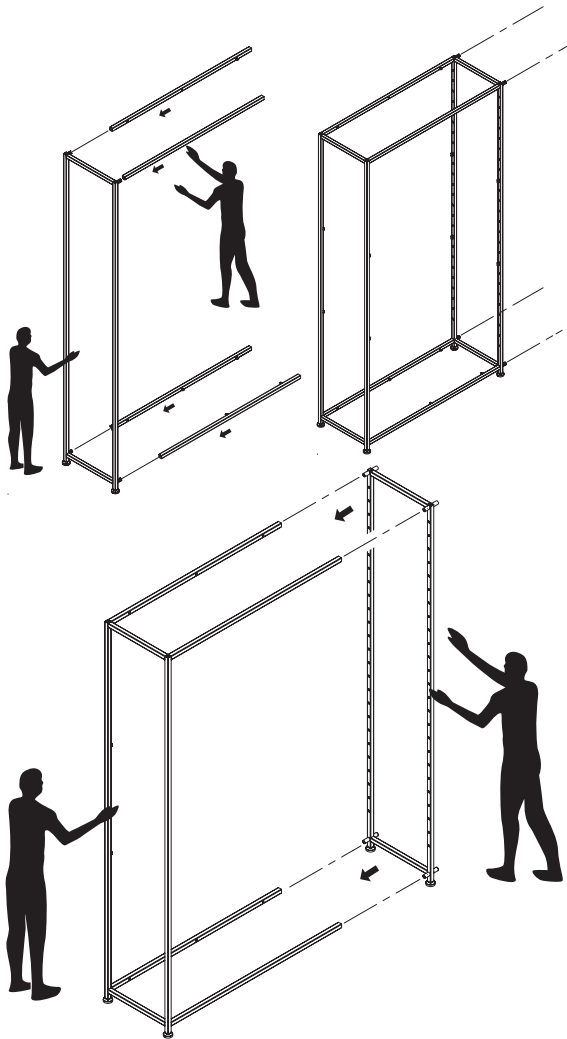
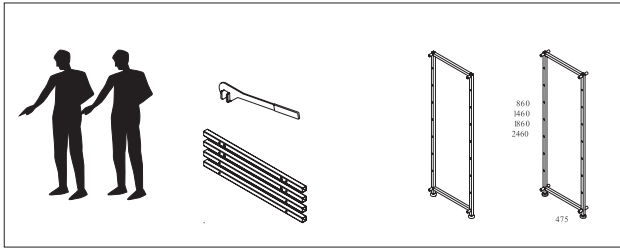
The installation location must meet the following requirements:

- The installation location must be dry. Installation outdoors is prohibited.
- The ceiling must be designed for, and able to support, the load to be borne (check with architect and structural engineer).

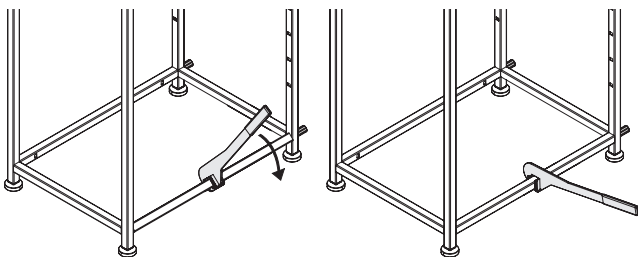


1	Outside frame
1.1	Integrated power track
2	Wood / glass insert
3	Shelf frame
4	Connecting tube (top, bottom)
5	Centre frame
6	Wall bracket
7	Hanging rail
8	Glide, height-adjustable
9	Cable tray

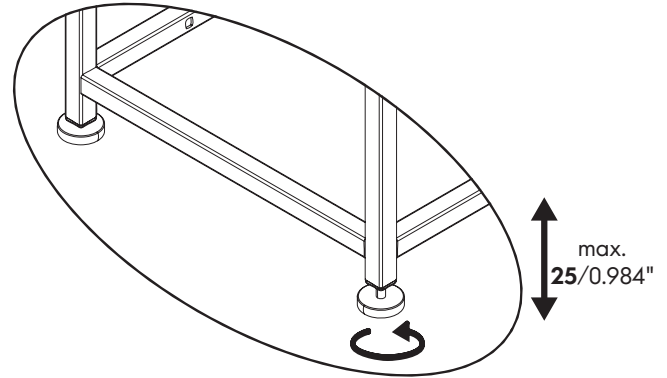
4.4 Connecting frames with connecting tubes



NOTE
The connecting tubes must be twisted with the assembly tool and positioned properly.

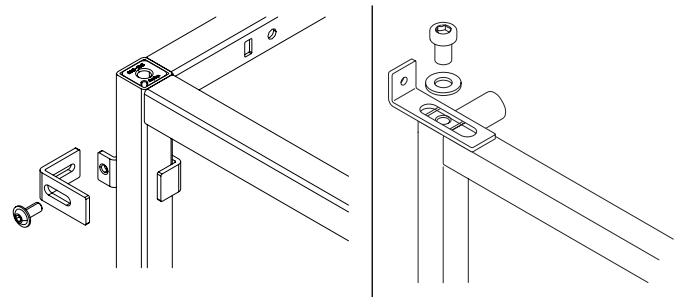


4.5 Alignment



4.6 Wall fixing brackets

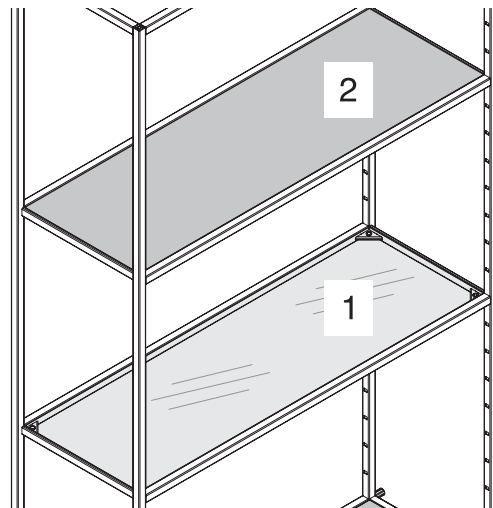
⚠ WARNING
Risk of injury due to tipping of the merchandise support and falling products.
> For structures with a height of 1600 mm/62.992" or more, the merchandise support must be affixed to the wall with a stabiliser to prevent it from tipping!



4.7 Inserting shelf frames

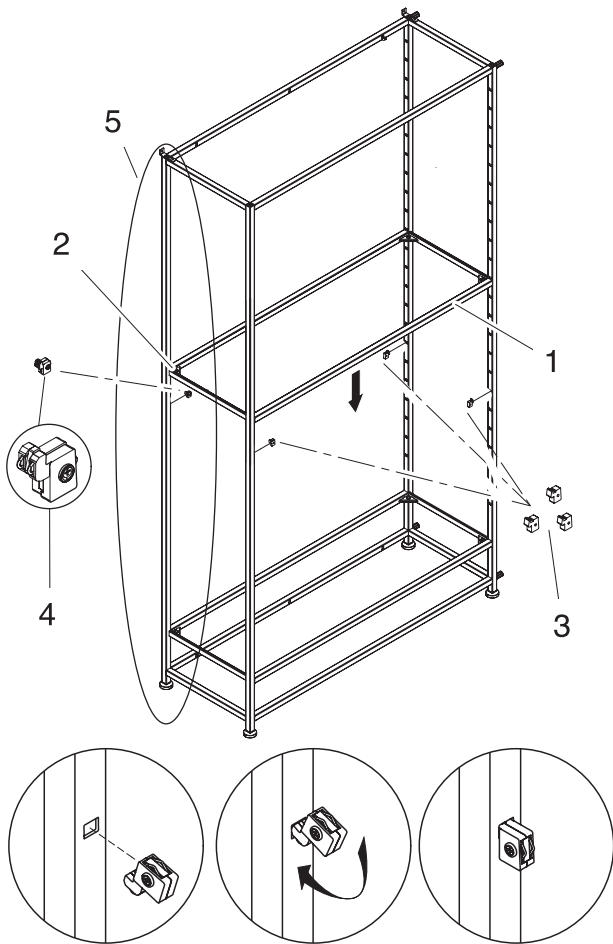
Construction drawings are available to download in the product section at www.visplay.com, or can be requested if needed.

- 📄 Drawing number:
994-150 Glass insert 8 mm/0.315" (1)
994-151 Wooden insert 19 mm/0.748" (2)



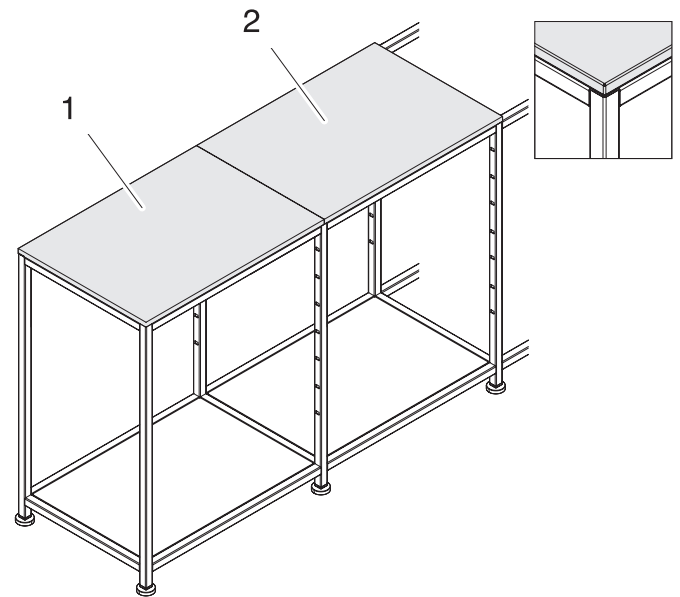
NOTE

With electrified versions, attention must be given to the position of the electrified shelf support on the shelf frame. In this figure always to the rear left.

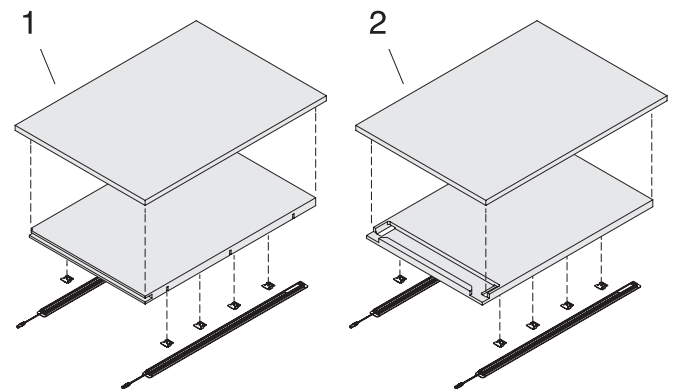


1	LED luminaire
2	Electrification on shelf frame
3	Shelf support (3 x basic)
4	Shelf support (1 x electrified)
5	Outside frame, electrified

4.8 Wooden shelf at top for LED luminaire

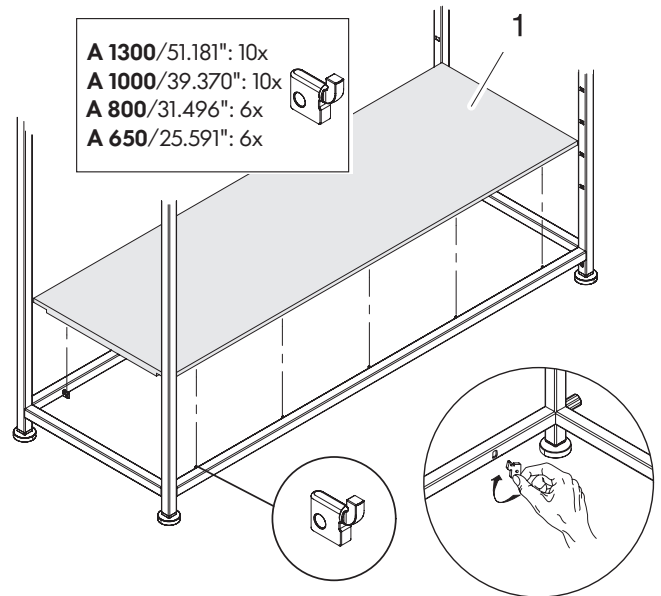
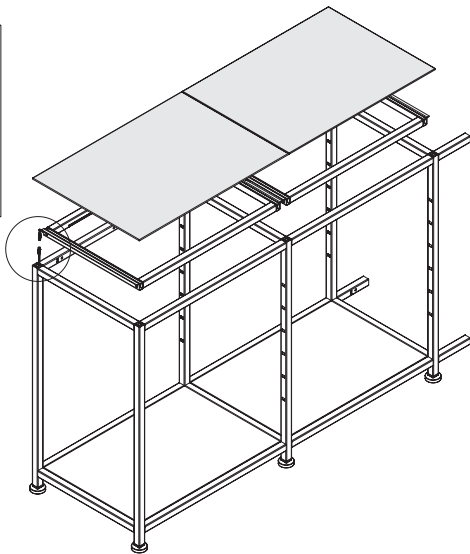
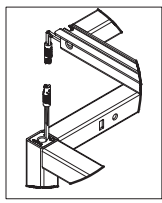


Construction drawings are available to download in the product section at www.visplay.com, or can be requested if needed.

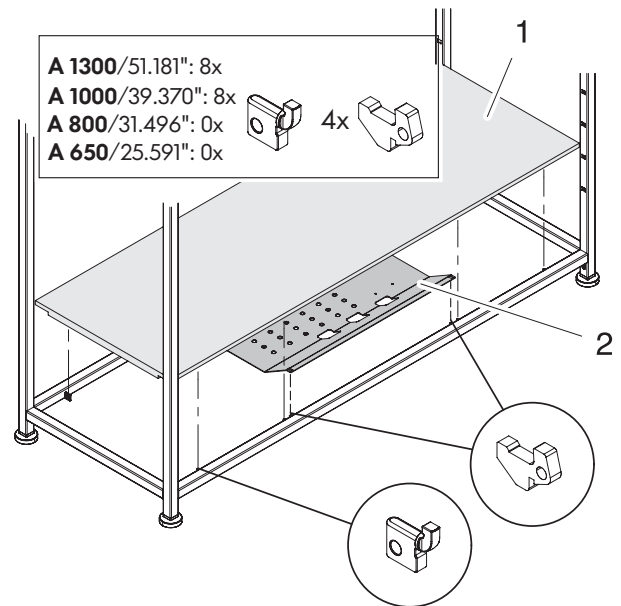
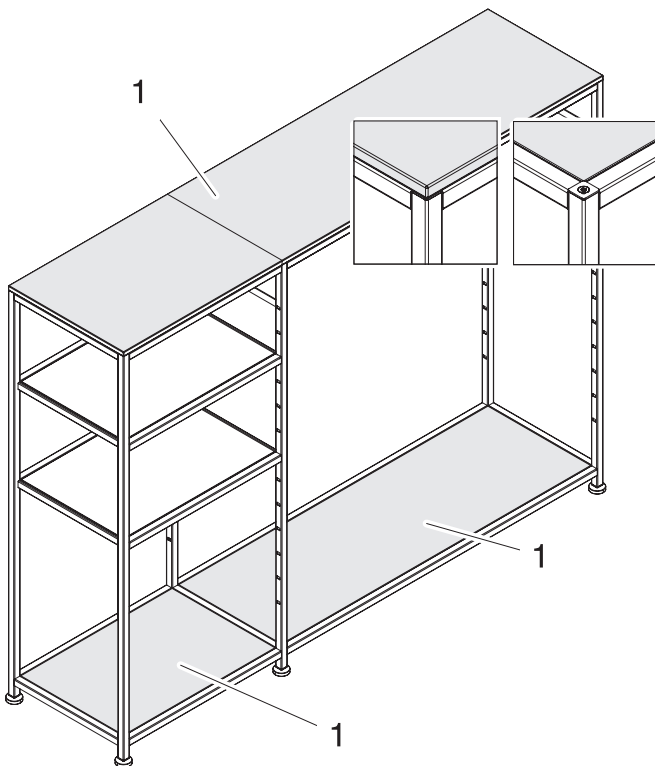


- 📄 Drawing number:
- 991-374 Overview of wooden shelves
- 991-368 Wooden shelf for single piece/end piece left (1)
- 991-372 Wooden shelf for central piece
- 991-390 Wooden shelf for end piece, right (2)

4.9 Frame insert with LED for glass and metal shelves



4.10 Panel shelves und cable tray

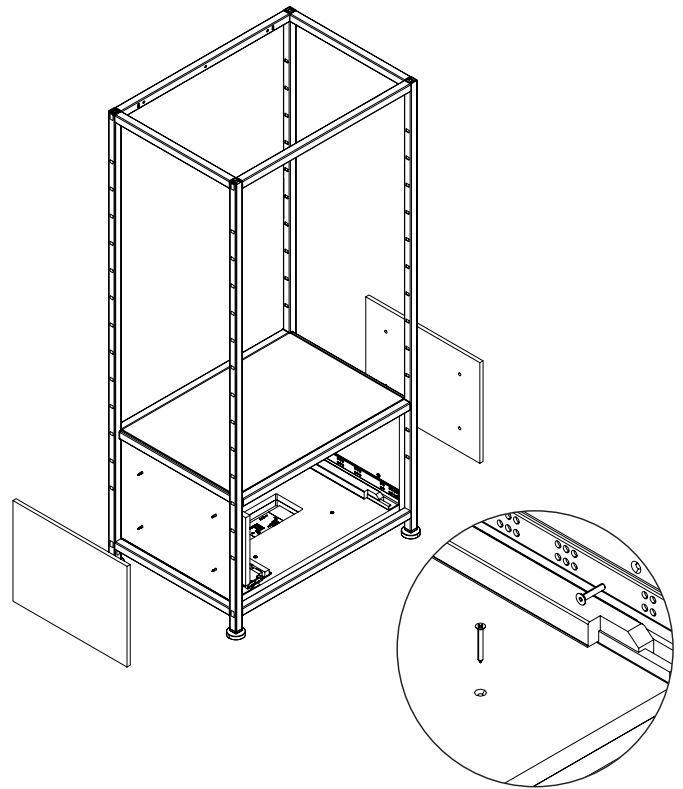
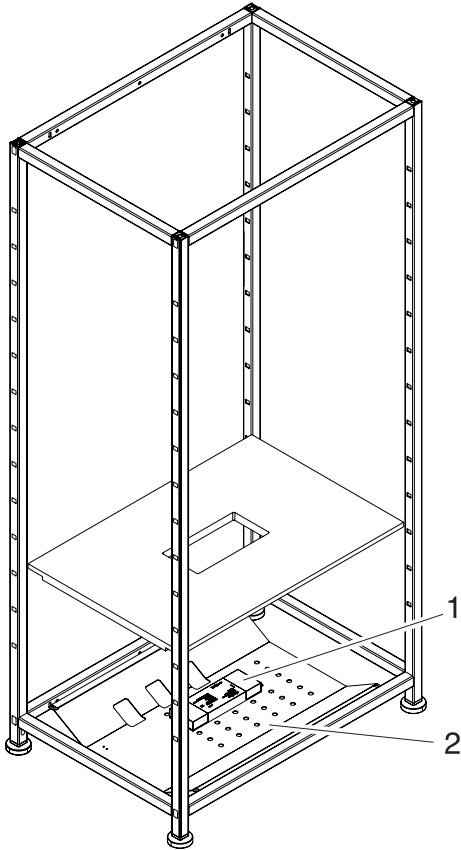


1	Shelf
2	Cable tray

Construction drawings are available to download in the product section at www.visplay.com, or can be requested if needed.

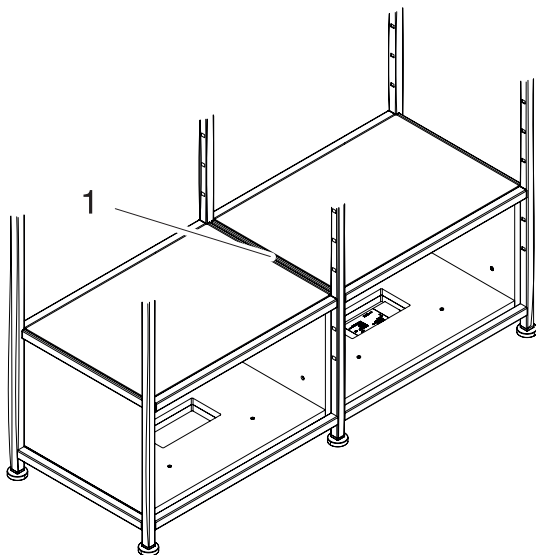
- Drawing number:
 993-100 Wooden shelf **19 mm/0.748"** at top and also at bottom for non-electrified structures (without cable tray).
 993-117 Wooden insert **19 mm/0.748"** at bottom if structures are electrified and cable tray is inserted.

4.11 Storage compartments with drawer

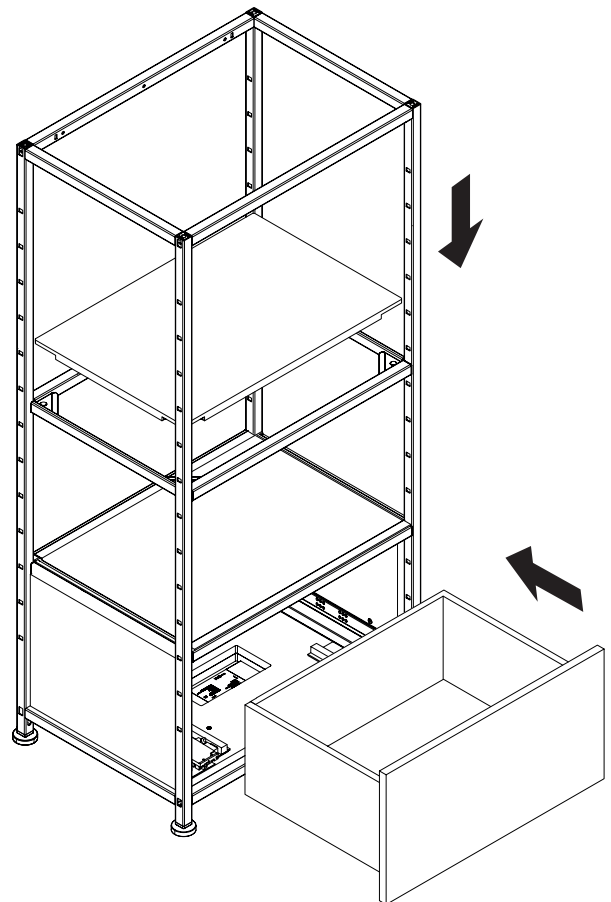


Screw on side cover and body from the inside.

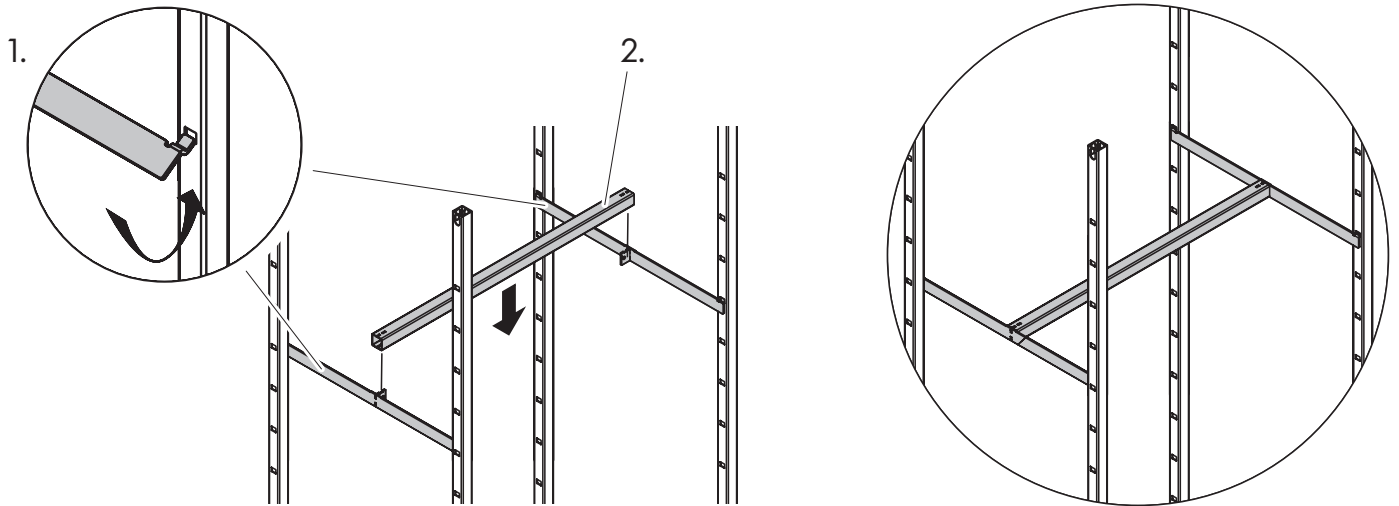
In the case of electrified structures, mount cable tray (2) and converter (1) first.



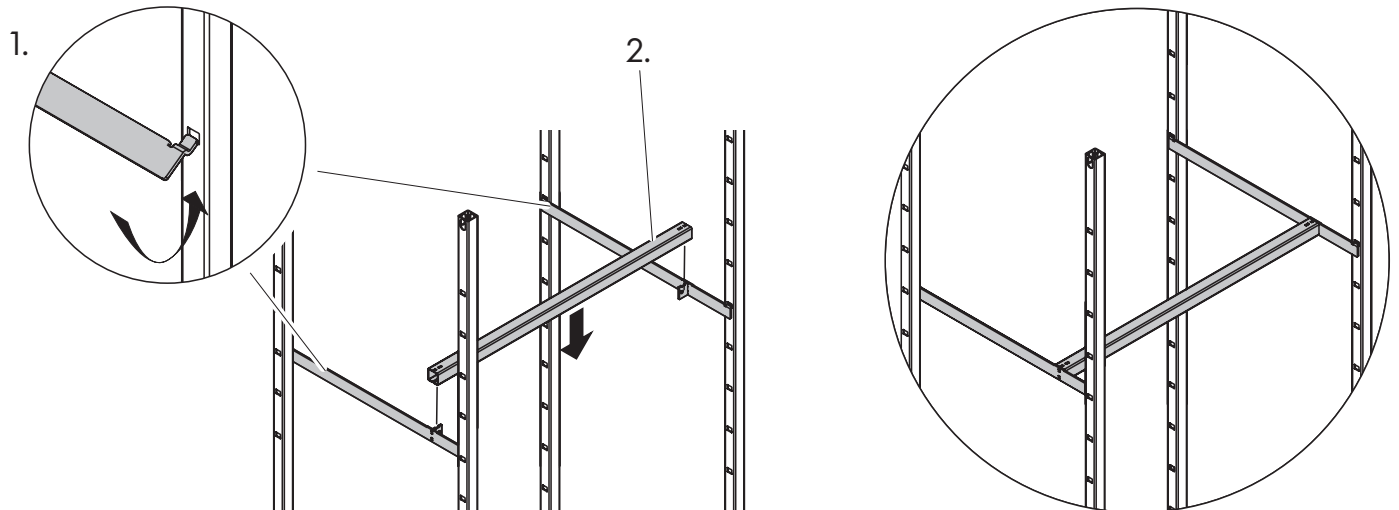
In the case of multiple-axis structures, use filling piece (1).
 278-178 middle filling piece **T 475 mm/18.701"**
 704-985 middle filling piece **T 330 mm/12.992"**



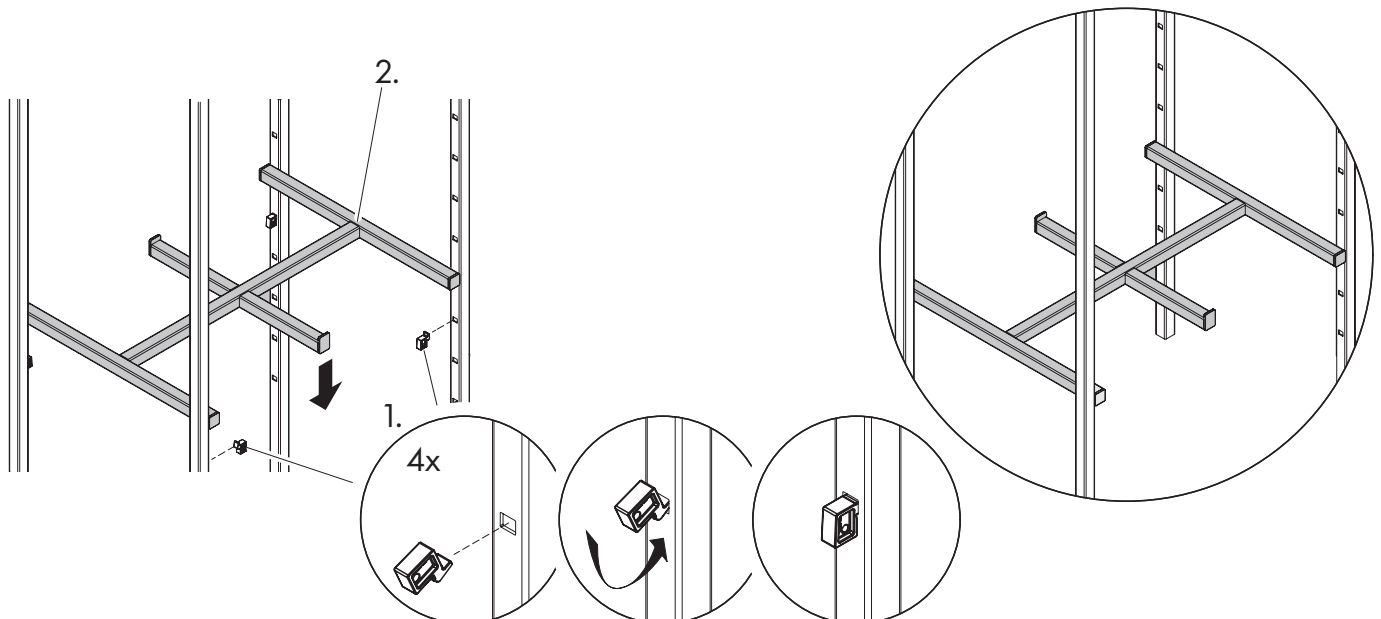
4.12 Hanging rail for central space



4.13 Hanging rail for the wall rack



4.14 Hanging rail with front arms for the central space

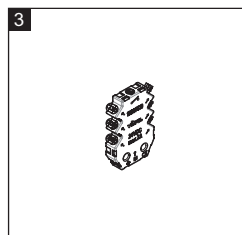
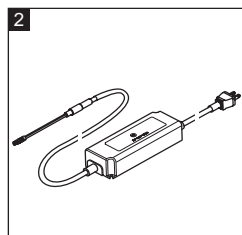
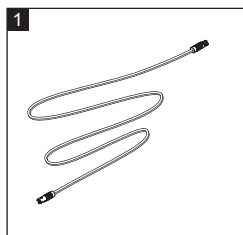
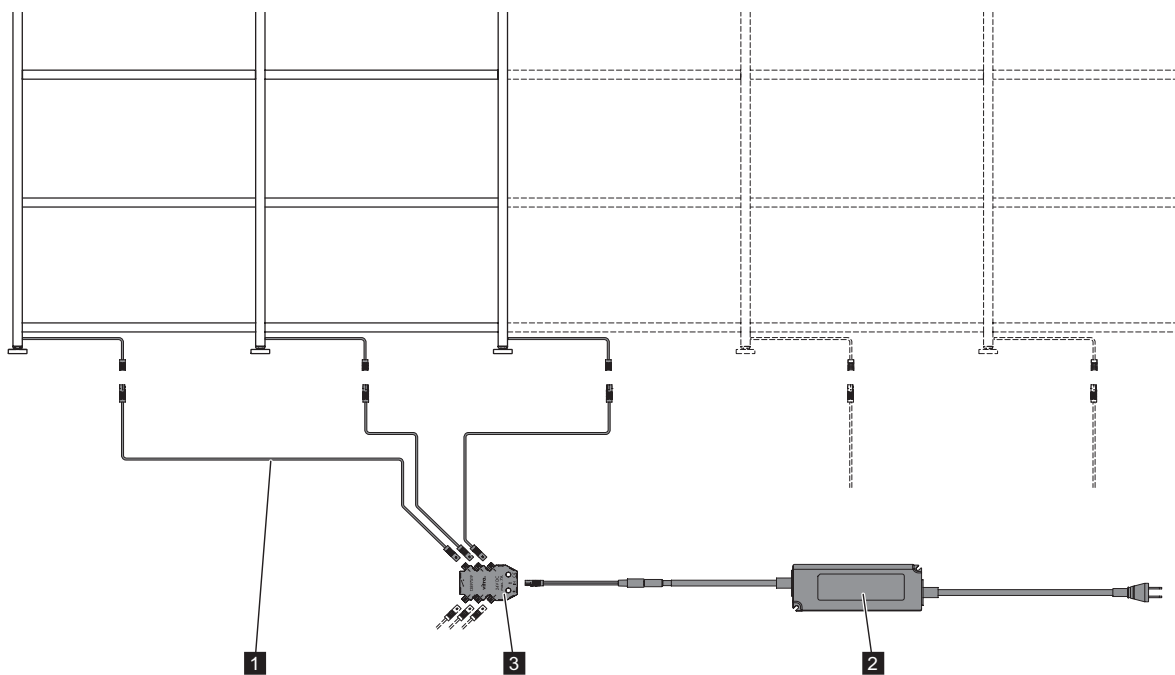
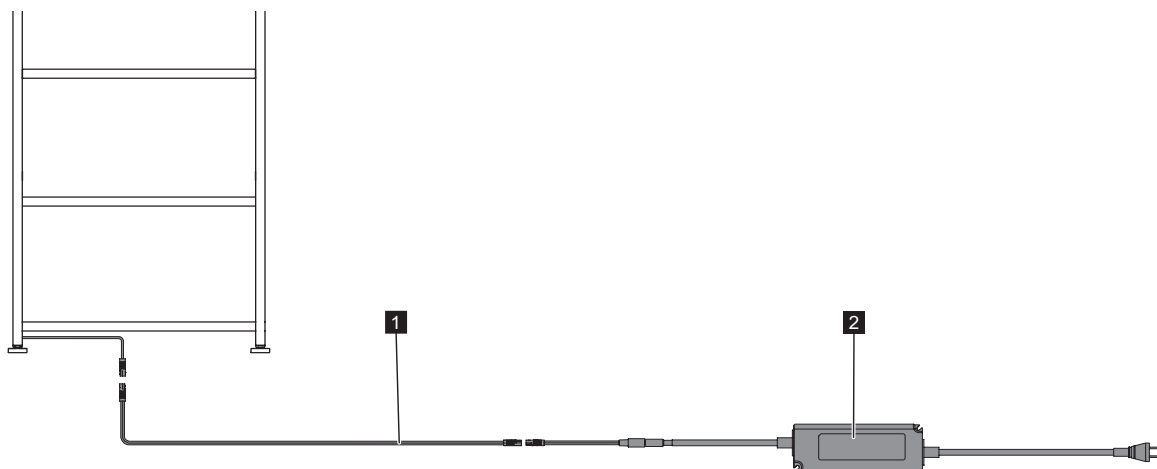


4.15 Visplay connector system

NOTE

It is imperative to take account of power consumption of the electrical devices!
The maximum power consumption should be 10 % below the nominal output rating of the converter.

Powering with 90 W converter



- 1 Extension cable 24 V
- 2 90 W LED converter
- 3 24 V distributor, 6 way - optional

5 Operation

⚠ WARNING

Risk of injury from falling goods or merchandise supports. The system can fail if the maximum permissible load of the merchandise support is exceeded.

- > **Observe the maximum load values of the individual merchandise supports.**
- > **Do not exceed the maximum load of 350 kg/ 771,610 lbs per frame.**

5.1 Cleaning

During the course of time, dust and deposits from clothes hangers can settle on the merchandise supports. In order that the goods on display do not become soiled, the merchandise supports must be regularly cleaned.

Remove goods from the merchandise support.

1. Remove dirt on the merchandise support carefully with a soft, dry cloth.
2. Remove stubborn dirt with a mild cleaning agent.

6 Dismantling and disposal

6.1 Dismantling

- > **Pull the power plug out of the power outlet.**
- > **Dismount converter and power distribution module (if present).**

6.2 Disposal

NOTE

Hazards to the environment can occur if product components are disposed of improperly.

- > **Ensure product components are disposed of in a proper environmental manner or through waste management specialists.**
- > **Send components that can be recycled for recycling.**
 - Send metal components for recycling or scrapping.
 - Recycle plastic parts.
 - Have an approved specialized disposal company dispose of electrical and electronic components.
 - Dispose of other components according to their material characteristics.

visplay

www.visplay.com

visplay-usa@visplay.com