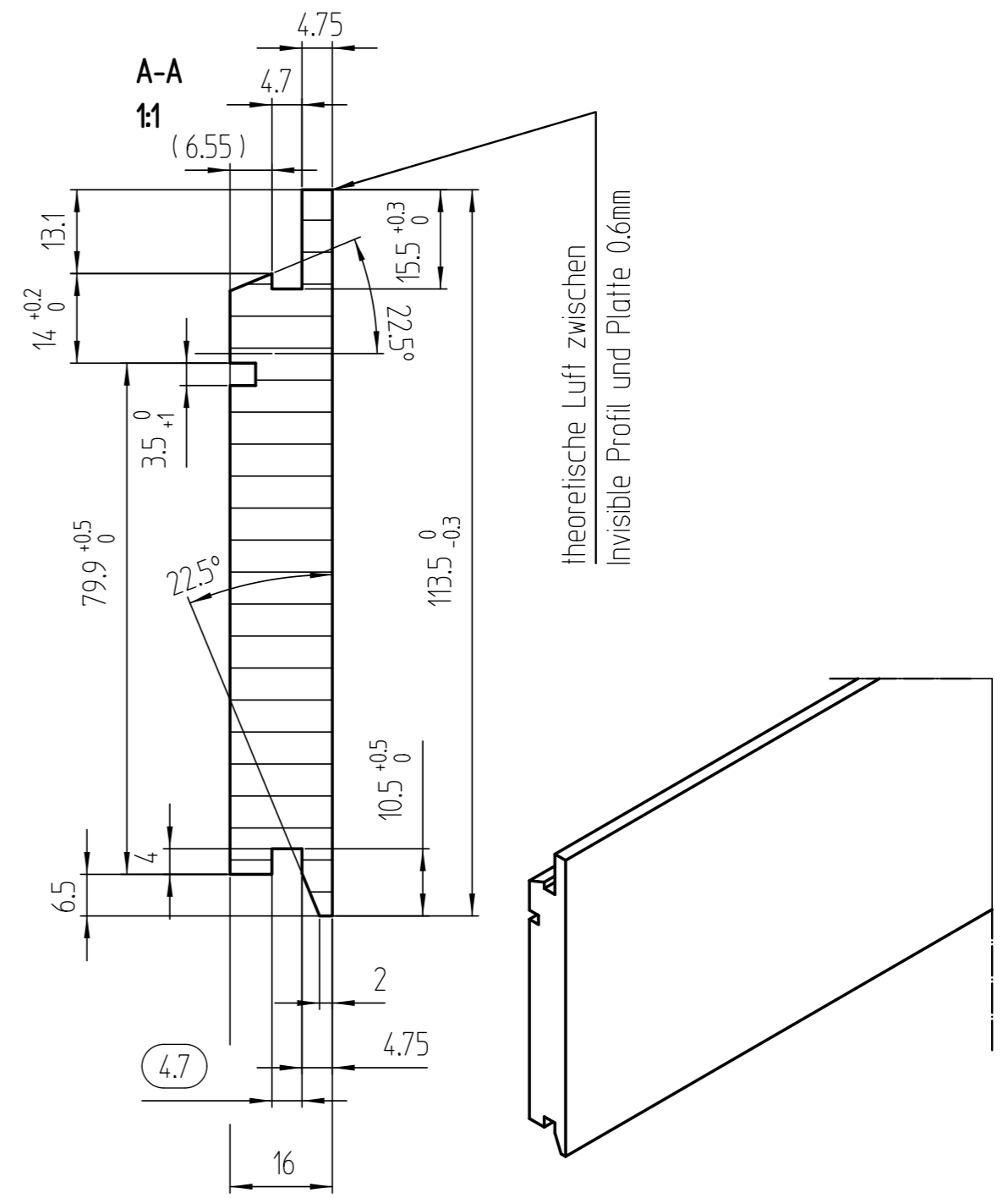
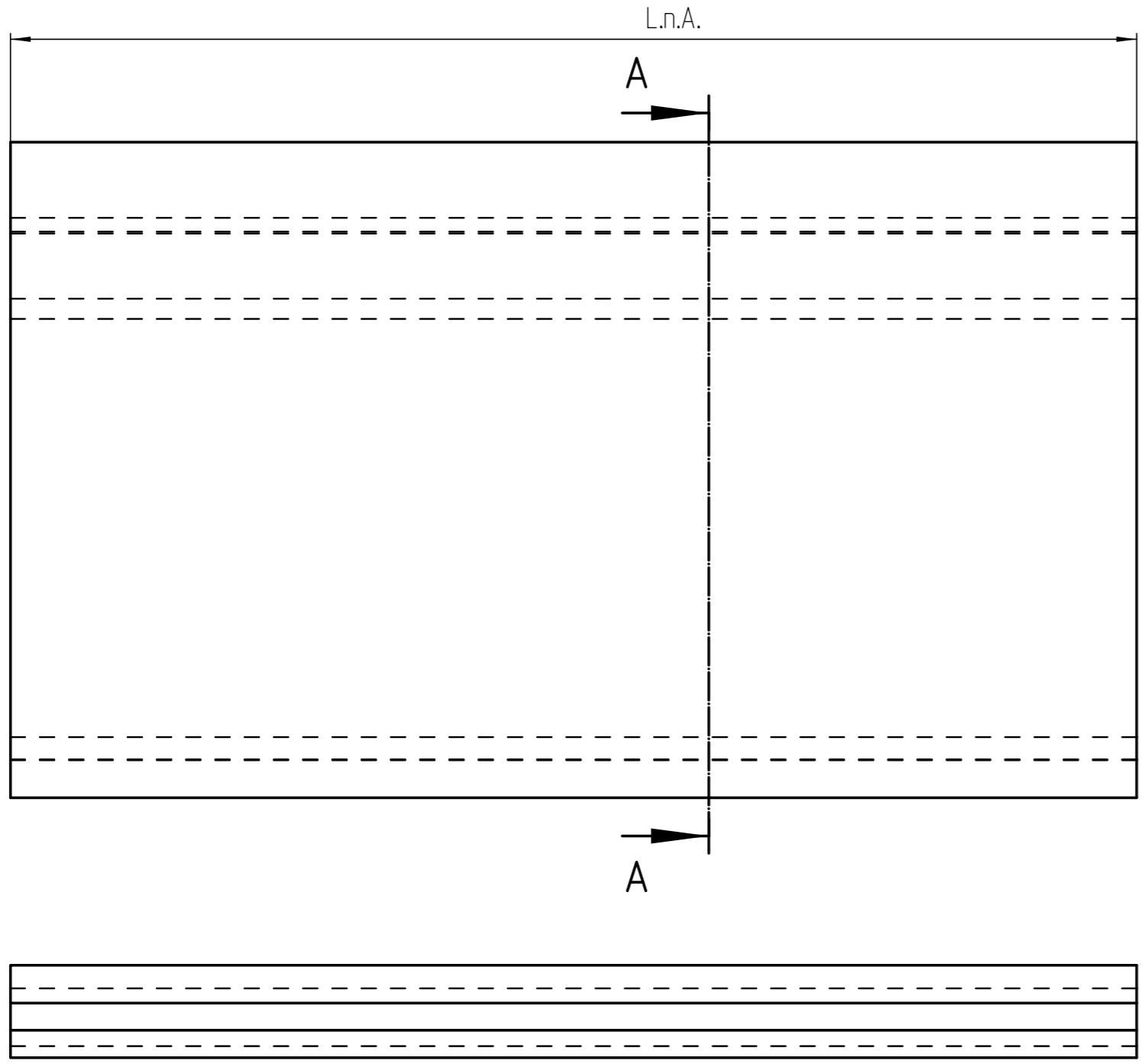


Any intellectual property right subsisting in this drawing is owned by our companies. Transmitting, using or copying without permission is prohibited.  
Ohne unsere Genehmigung darf diese Zeichnung weder kopiert noch an Drittpersonen weitergegeben werden.



Plattenwerkstoffe mit 16mm							
Piece	Designation/Description		Drawing/Mat.-Nr.	Pos	Material	DIN/VBN	Remark
Changings	B	Änderung	Sander_M			07.03.18	
	A						
Used by			First used for		Foreign designation		Format Index Sheet
	Date	Name	Weight/kg	0,224	Development No.		
Designed	06.03.18	Sander_M	Free Dim. Tol.	Main Scale	113-297 3 B 1/1		
Released	14.12.18	Studer_A	HT 25	1:2			
In Change	Replacement for						
Designation			Wechsel Paneele 125mm				
Project			www.visplay.com				
Customer991							