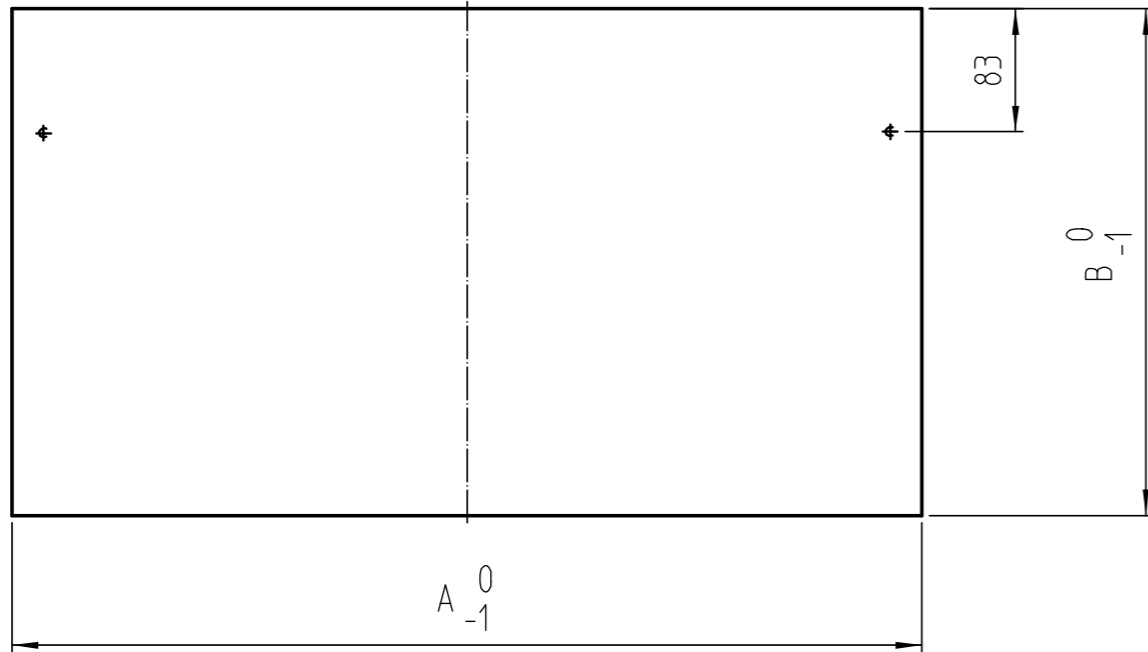
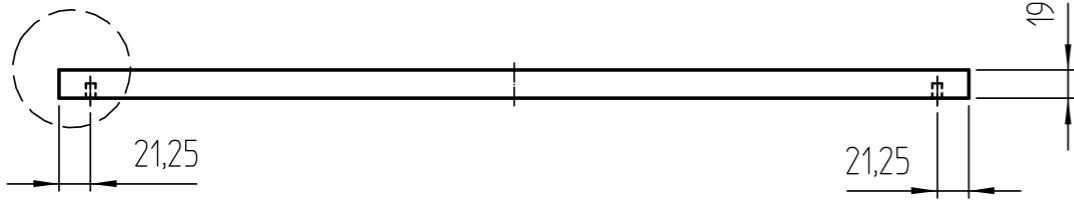


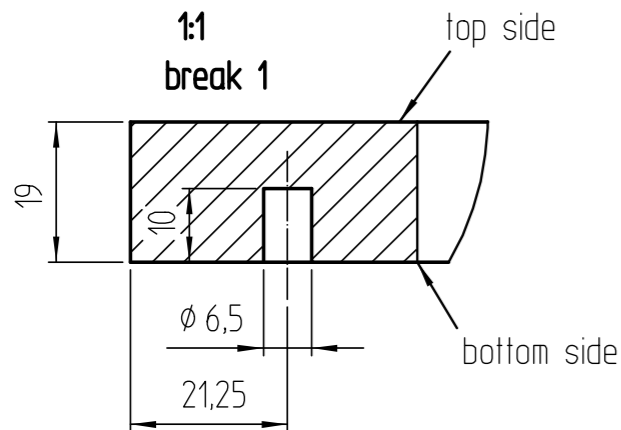
Any intellectual property right subsisting in this drawing is owned by our companies. Transmitting, using or copying without permission is prohibited.

Detail1

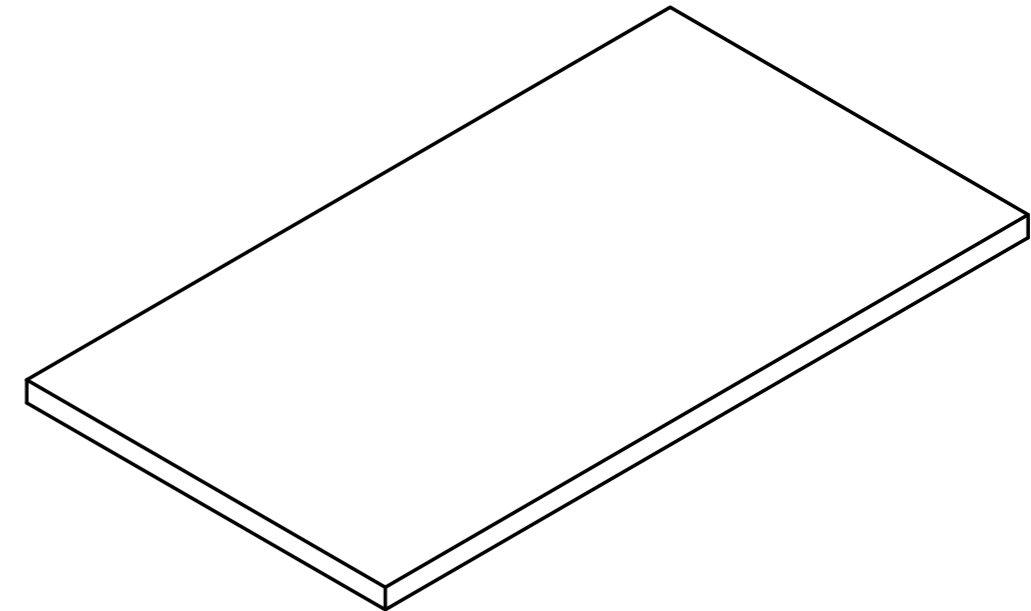


Detail1

1:1
break 1




discription	measure A	measure B
wooden shelf f. axis=617,5	614	342
wooden shelf f. axis=617,5	614	392
wooden shelf f. axis=1242,5	1239	342
wooden shelf f. axis=1242,5	1239	392



round off all edges users contact
at least with radius of R2

plate material, surface and edges
according to the order

Piece	Designation /Description	Drawing/Mat.-Nr.	Pos	Material	DIN/VBN	Remark
Changings						
A						
Used by		First used for		Foreign Designation		Format Index Sheet
	Date	Name	Wheight/kg	2,992	Development No.	
Designed	25.11.04	Metzger_	Free Dim. Tol.	Main Scale	289-443	3 A 1
Released	08.10.08	Buerqin_	HT 25	1:5		
In Change					Replacement for	
Designation				wooden shelf AxBx19		
Projekt Customer901						
www.visplay.com						