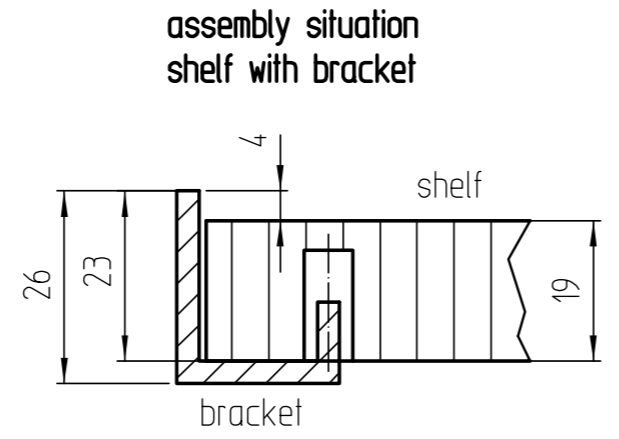
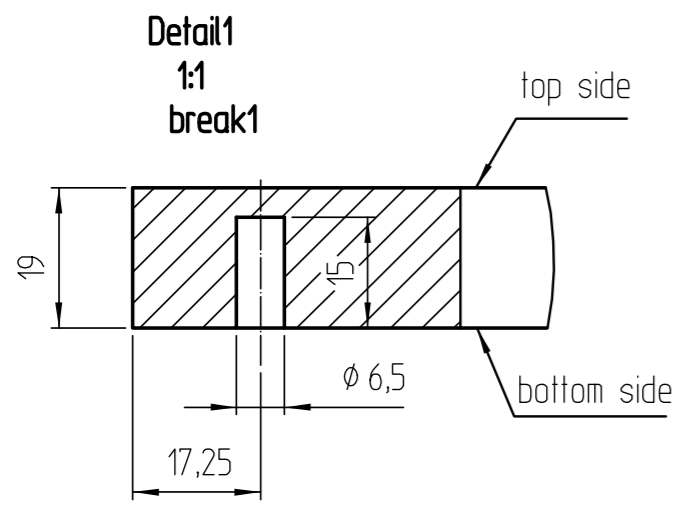
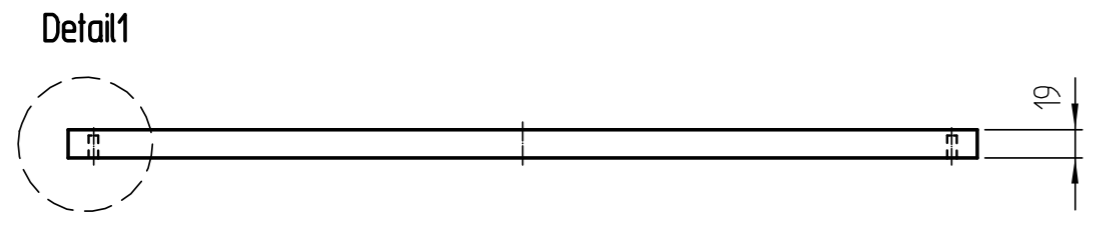
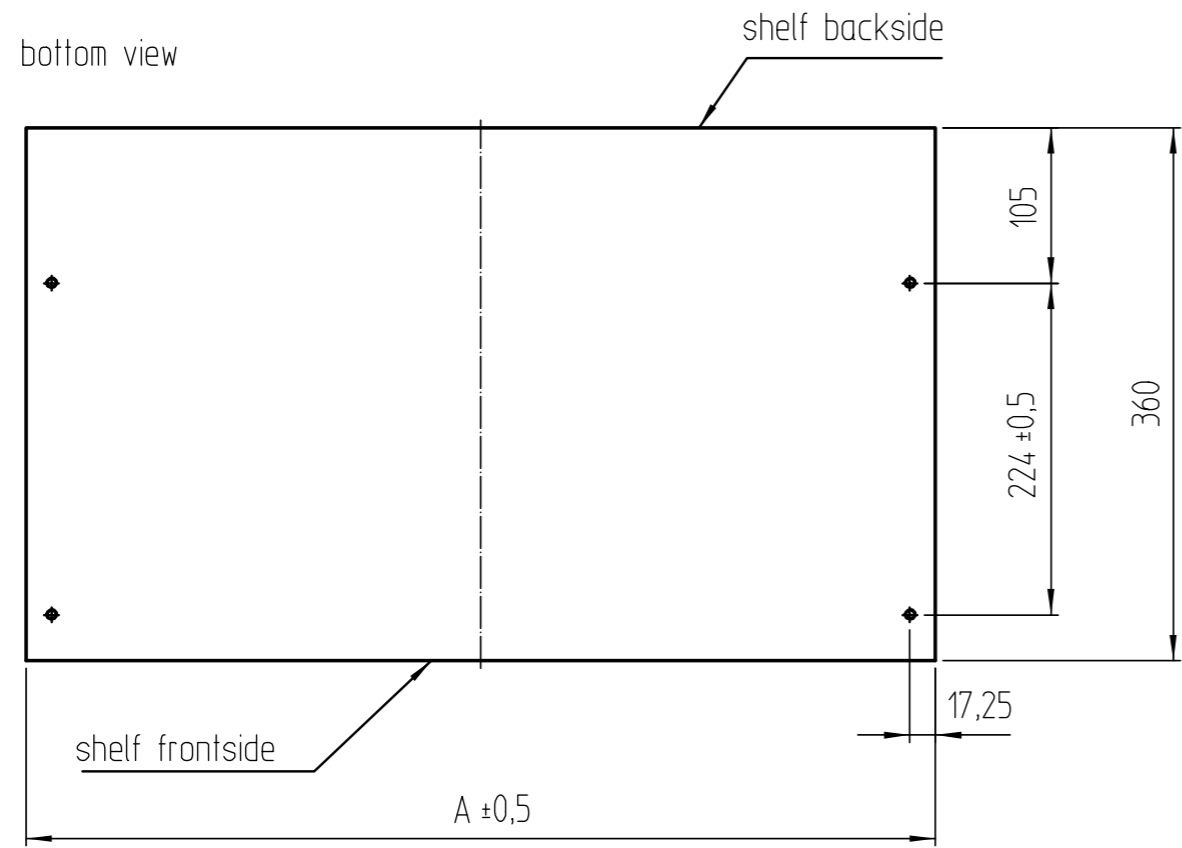
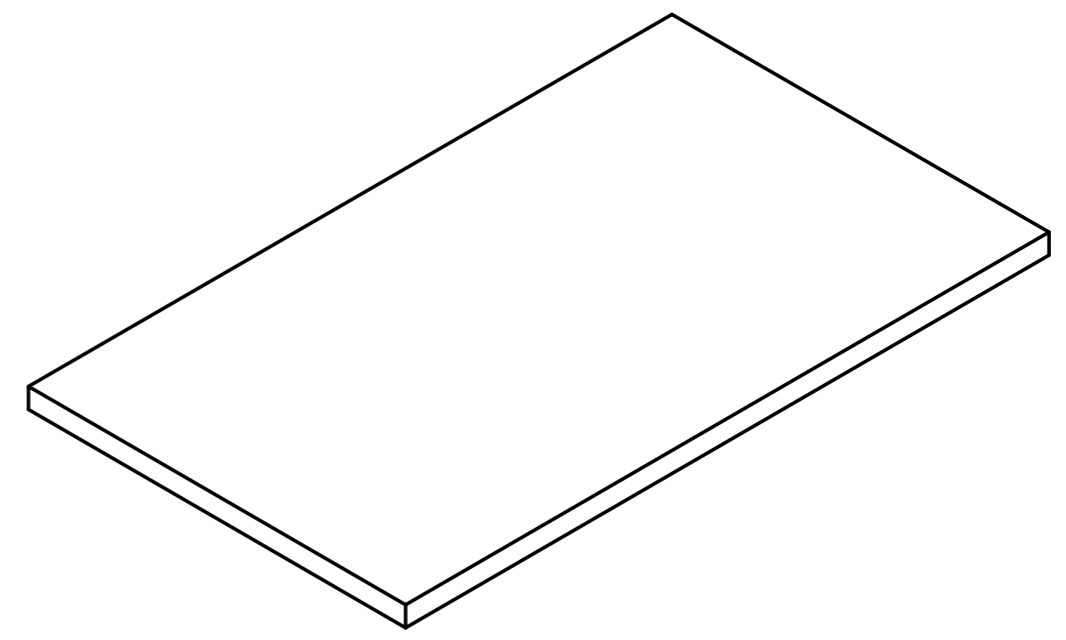


Any intellectual property right subsisting in this drawing is owned by our companies. Transmitting, using or copying without permission is prohibited.



discription	drawng. no.	A
wooden shelf f. axis=617,5	289-428	614
wooden shelf f. axis=992,5	289-429	989
wooden shelf f. axis=1242,5	289-430	1239



round off all edges users contact at least with of R2

plate material, surface and edges according to the order

Piece	Designation /Description	Drawing/Mat.-Nr.	Pos	Material	DIN/VBN	Remark
Changings						
C Bemassung richtiggestellt				Weber_N		29.06.07
Used by		First used for		Foreign Designation		Format Index Sheet
	Date	Name	Wheight/kg	3,148	Development No.	
Designed	28.10.04	Metzger_	Free Dim. Tol.	Main Scale	289-428	3 C 1
Released	08.10.08	Buerqin_	HT 25	1:5		
In Change					Replacement for	
Designation				wooden shelf 614x354x19		
Projekt Customer901						
www.visplay.com						