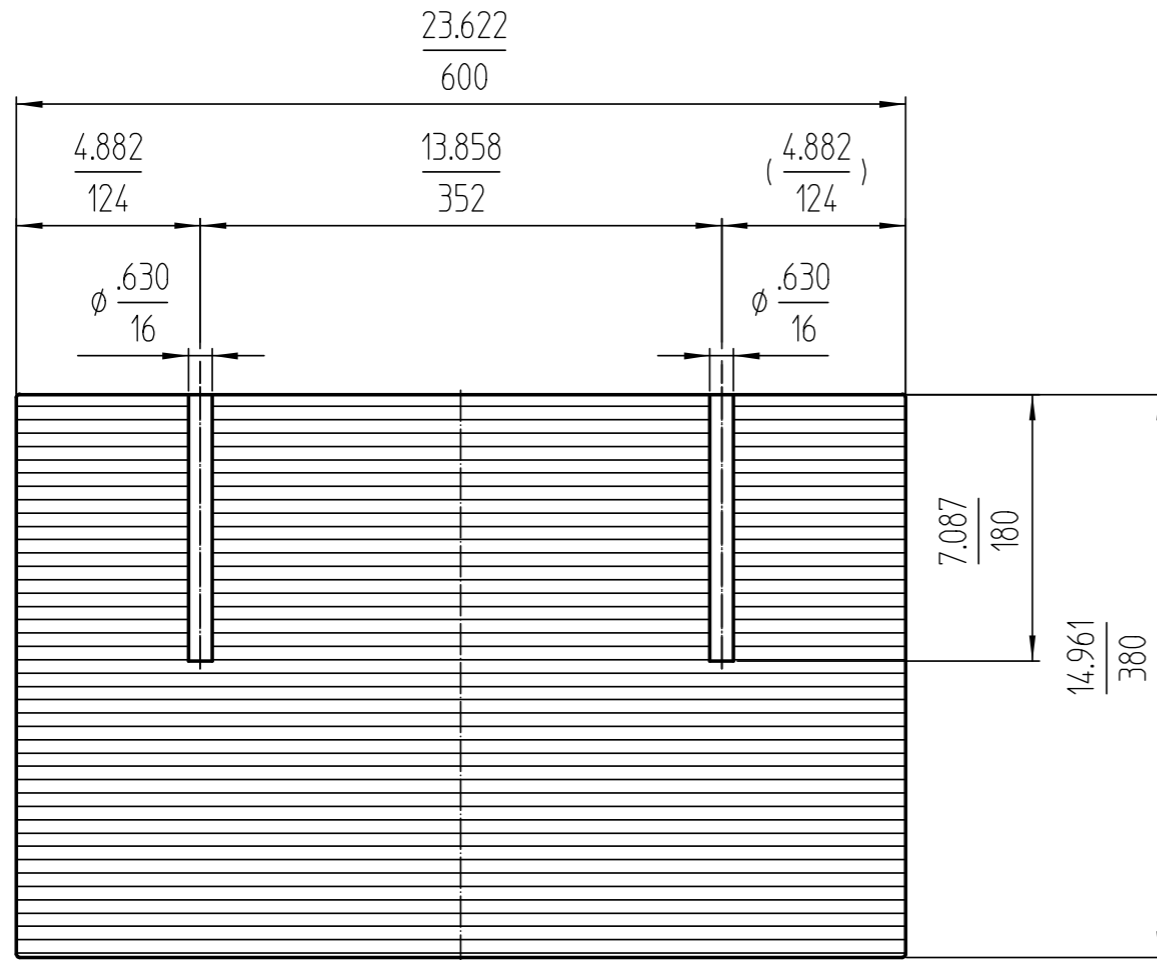
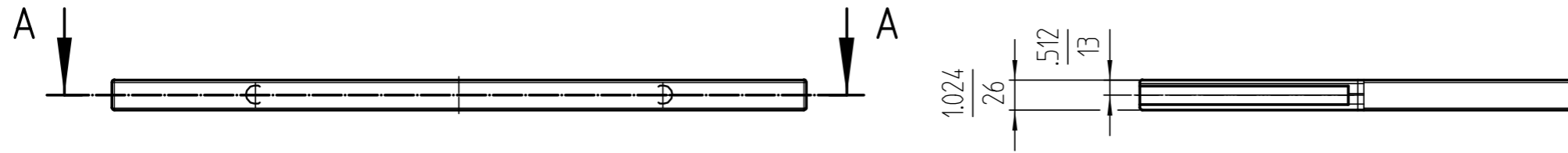
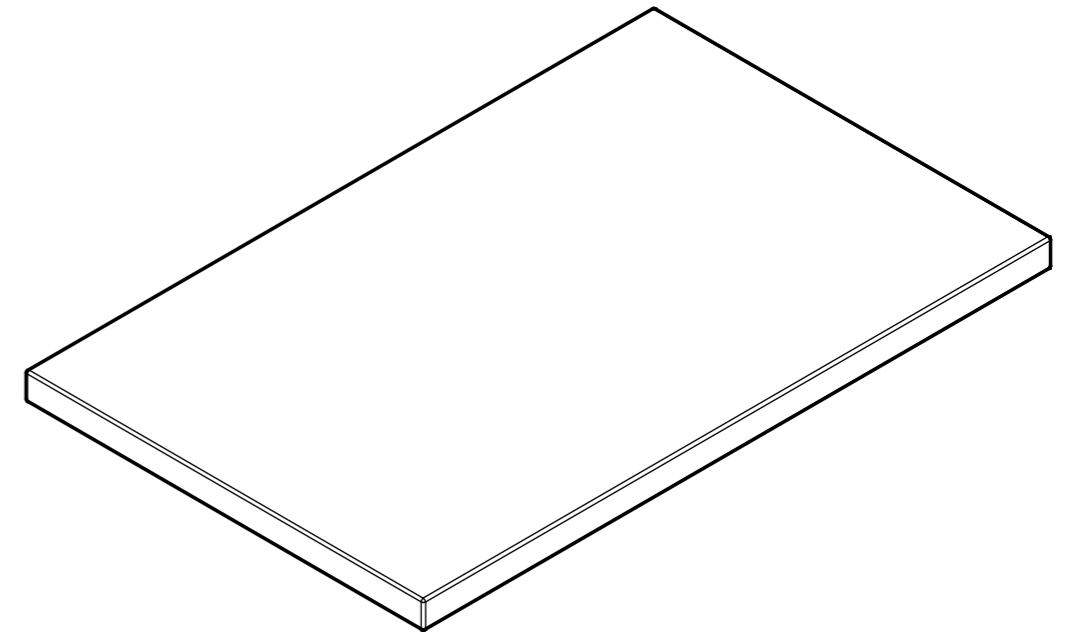


Any intellectual property right subsisting in this drawing is owned by our companies. Transmitting, using or copying without permission is prohibited.




A-A



Round off all edges user contact at least with radius R2!

Plate material, surface and edges according to the order!

| Piece | Designation /Description | Drawing/Mat.-Nr. | Pos | Material | DIN/VBN | Remark |
|-----------------|--------------------------|------------------|----------------|---|-----------------|--------------------|
| Changings | | | | | | |
| Used by | | First used for | | Foreign Designation | | Format Index Sheet |
| | Date | Name | Wheight/kg | 4,389 | Development No. | |
| Designed | 11.02.11 | Buerqin_ | Free Dim. Tol. | Main Scale | 247-138 | 3 A 1 |
| Released | 11.02.11 | Buerqin_ | HT 25 | 1:5 | | |
| In Change | | | | | Replacement for | |
| Designation | | | | wooden shelf 600x380x26 | | |
| Projekt | | | |  | | |
| Customer903 | | | | | | |
| www.visplay.com | | | | | | |