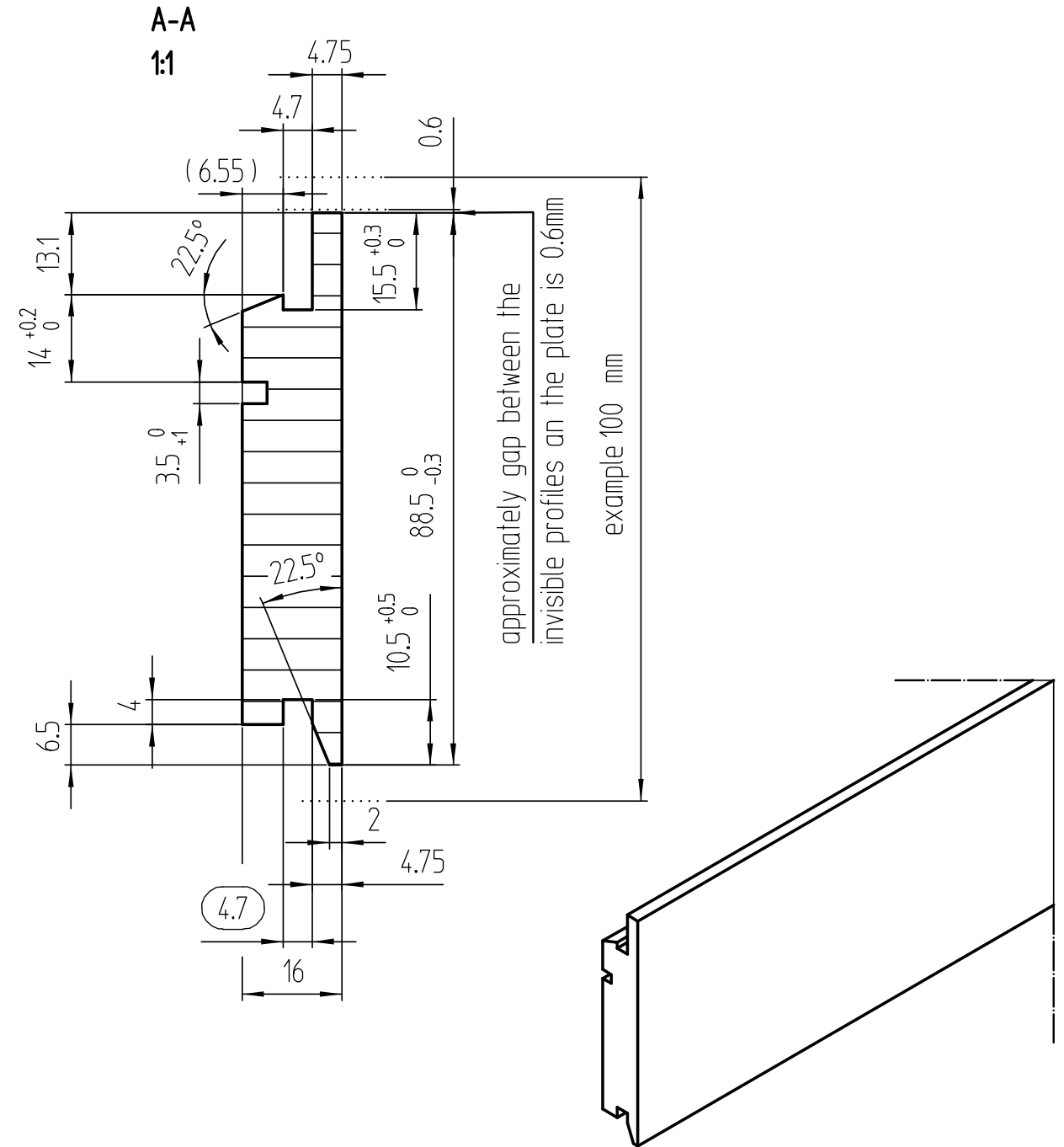
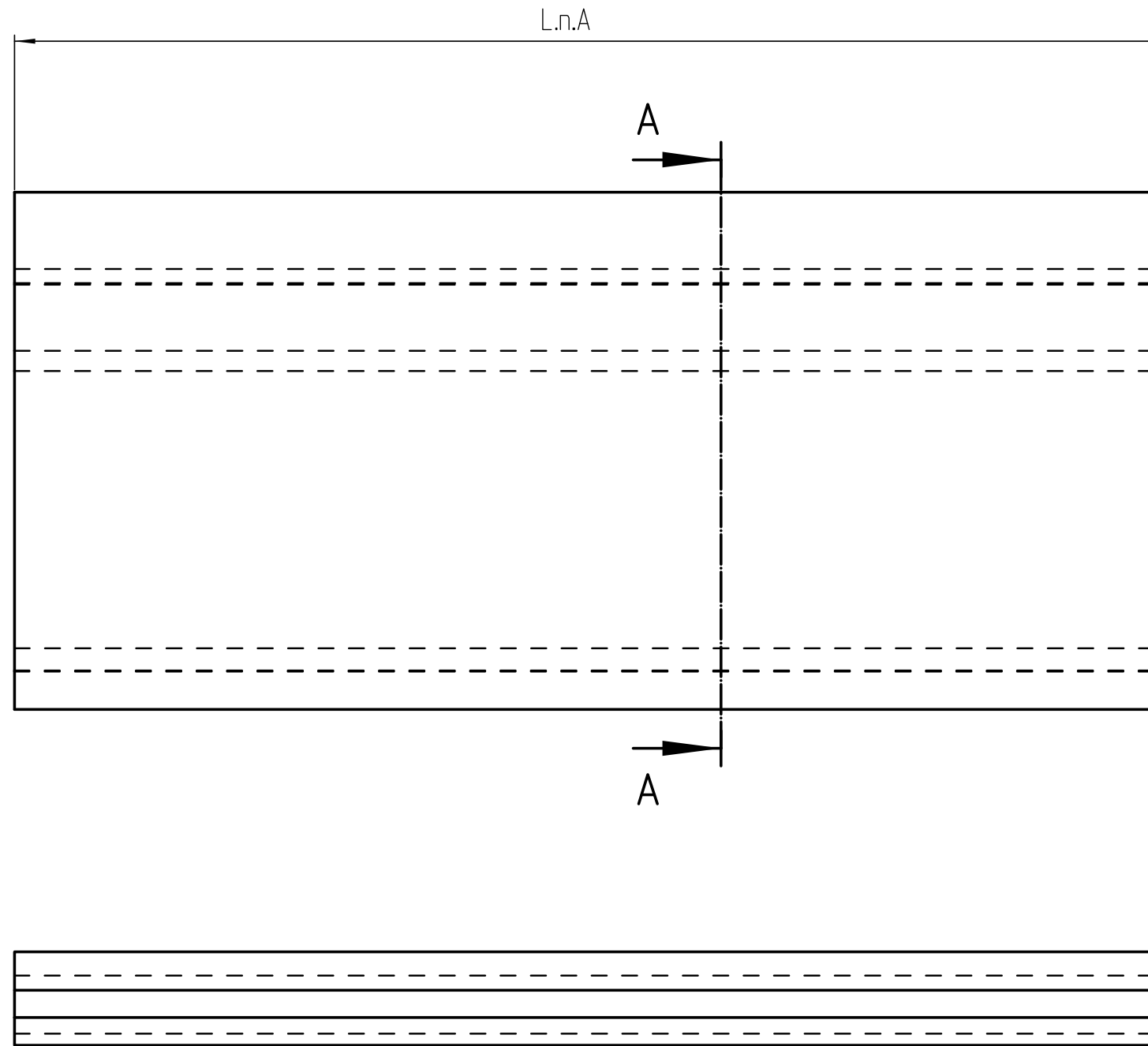



Any intellectual property right subsisting in this drawing is owned by our companies. Transmitting, using or copying without permission is prohibited.



board materials with 16mm						
Piece	Designation /Description	Drawing/Mat.-Nr.	Pos	Material	DIN/VBN	Remark
Changings						
B Fräskontur geändert						31.03.15
Used by		First used for		Foreign Designation		Format Index Sheet
	Date	Name	Wheight/kg	0,166	Development No.	
Designed	27.10.14	Uecker_M	Free Dim. Tol.	Main Scale	345-283	3 B 1
Released	31.03.15		ISO 2768-mK	1:2		
In Change					Replacement for	
Designation				Invisible cut out for small panels different to the standard		
Projekt						
Customer993						
www.visplay.com						