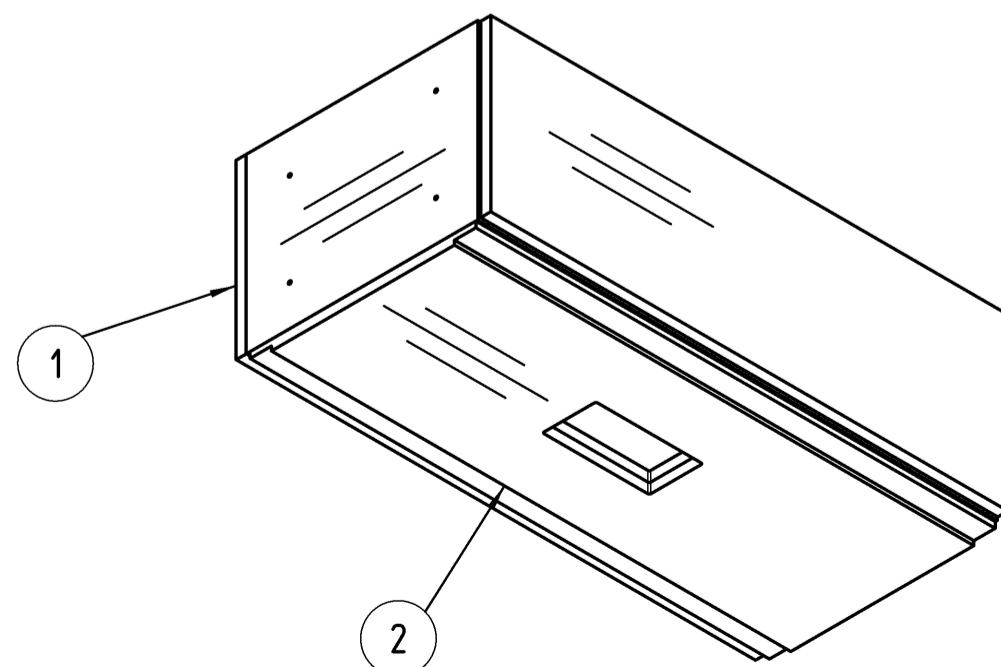
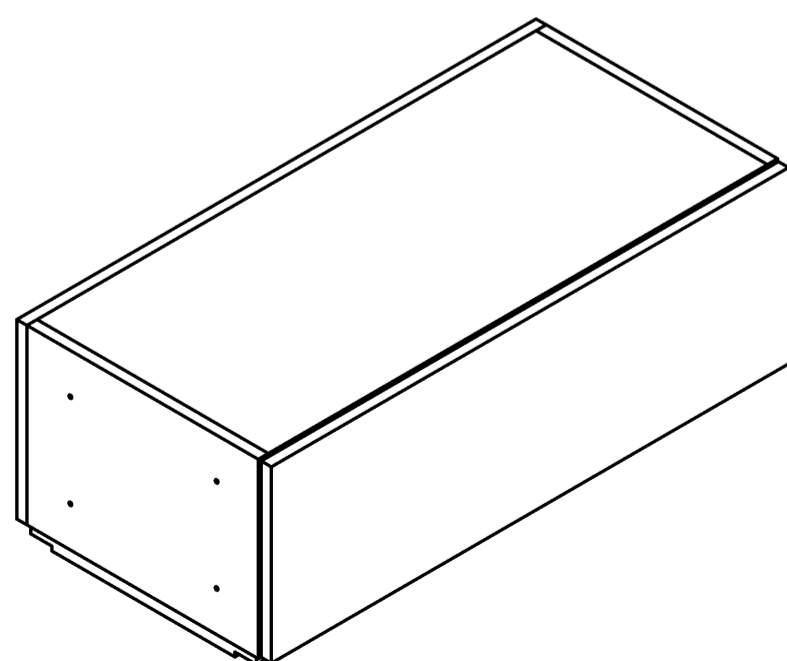
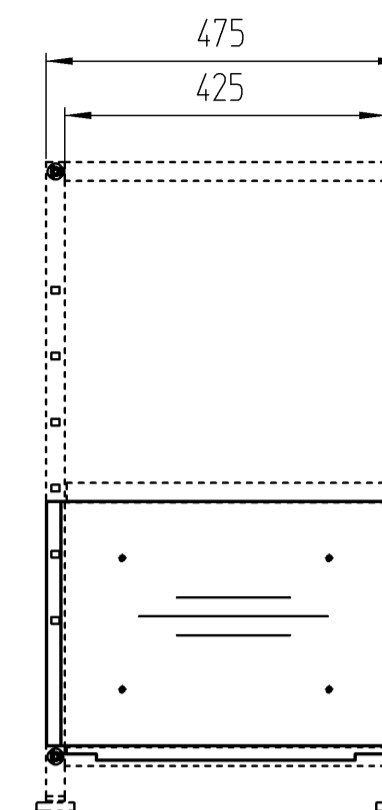


Detail1  
1:25



4	Senk-Holzchr. 4x35	61108313	3	St	7997	SPAX, verzinkt
1	double wooden shlef A1000	278173	2			
1	wooden board A1000	278172	1			
Piece	Designation/Description	Drawing/Mat.-Nr.	Pos	Material	DIN/VBN	Remark

Changings						
Used by			First used for		Foreign designation	
	Date	Name	Weight/kg	43,861	Format	Index
Designed	09.06.20	Studer_A	Free Dim. Tol.	Main Scale	278-171	2 A 1/1
Released	09.11.20	Studer_A		1:10	Replacement for	
In Change						

Designation				wooden board A1000		
Project				Schubladenschrank A1000 Nahres		
Customer				901		
www.visplay.com						

Any intellectual property right subsisting in this drawing is owned by our companies. Transmitting, using or copying without permission is prohibited. Ohne unsere Genehmigung darf diese Zeichnung weder kopiert noch an Drittpersonen weitergegeben werden.