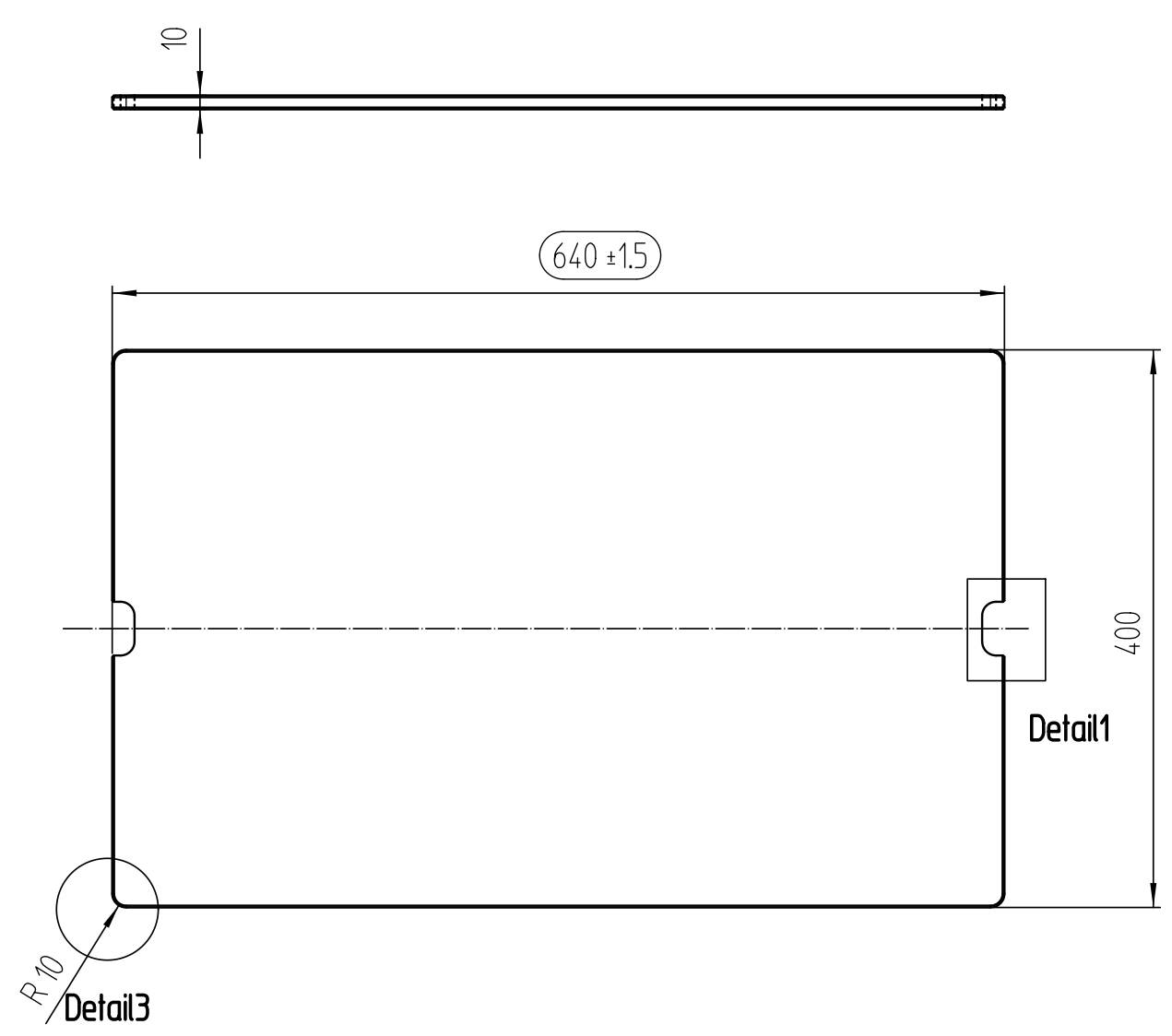
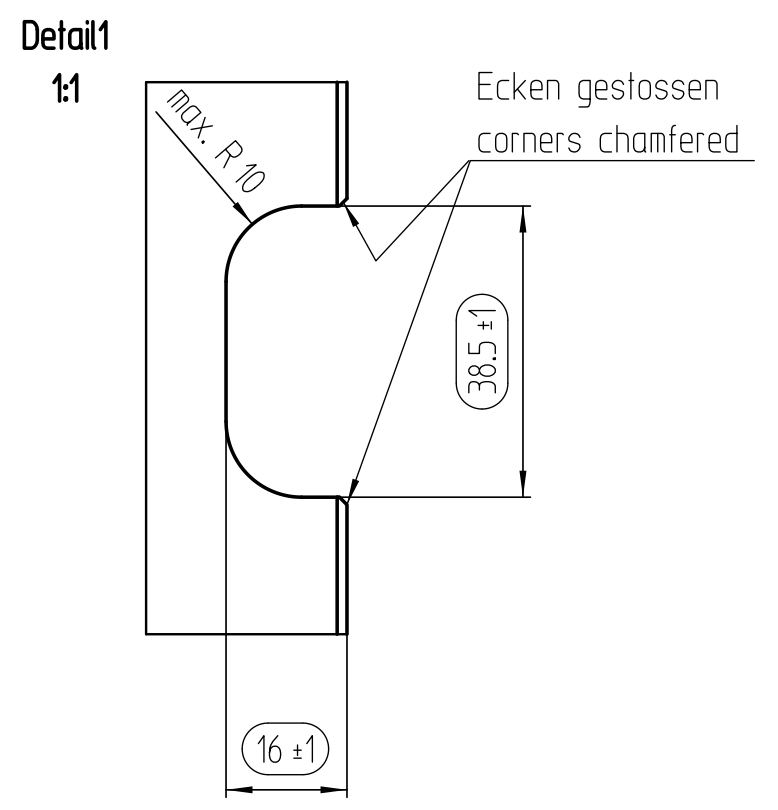
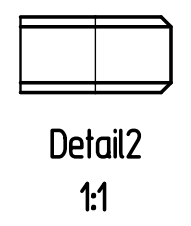
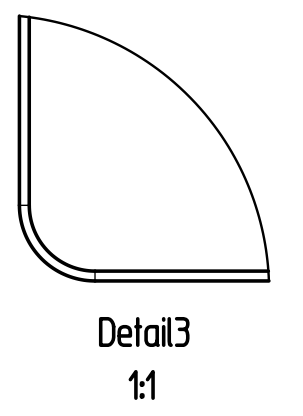
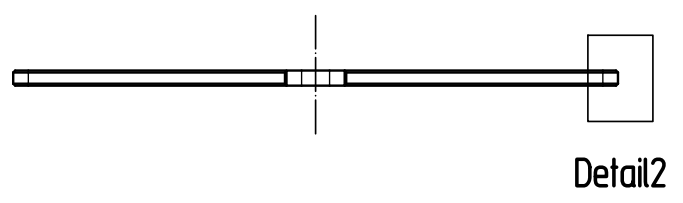
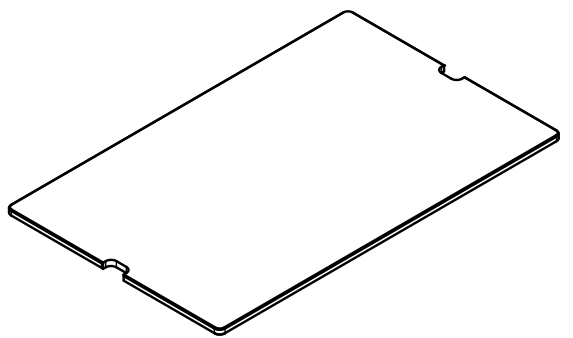


Any intellectual property right subsisting in this drawing is owned by our companies. Transmitting, using or copying without permission is prohibited.  
Ohne unsere Genehmigung darf diese Zeichnung weder kopiert noch an Drittpersonen weitergegeben werden.



für Achse 650 / for axis 650



Outer edges circumferentially lined and polished according to DIN 1249-11

Aussenkanten umlaufend gesäumt und poliert gemäss DIN 1249-11

all outer corners rounded R10

alle Aussenecken R10

1	toughned safety glass 10 mm	63600110	1			
1	ESG 10mm	63600110	1			
Piece	Designation/Description	Drawing/Mat.-Nr.	Pos	Material	DIN/VBN	Remark

Changings						
Used by		First used for		Foreign designation		
	Date	Name	Weight/kg	6,615	Development No.	
Designed	04.07.23	Sander_M	Free Dim. Tol.	Main Scale	100-0265	3 A 1/1
Released	04.07.23	Sander_M	ISO 2768-mK	1:5		
In Change					Replacement for	

Designation			<b>Glastablar Glass A650</b>			
Project			Customer901			
www.visplay.com						