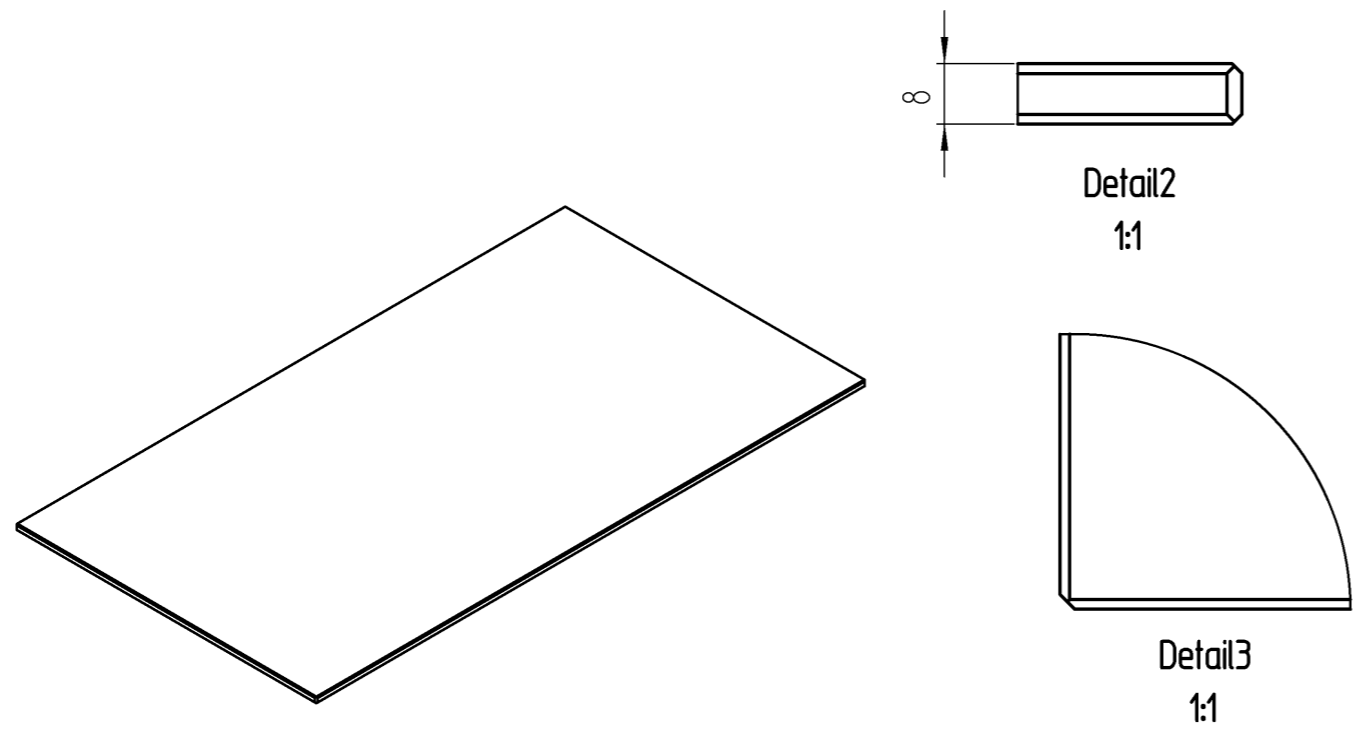
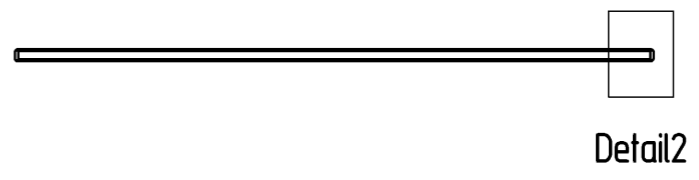
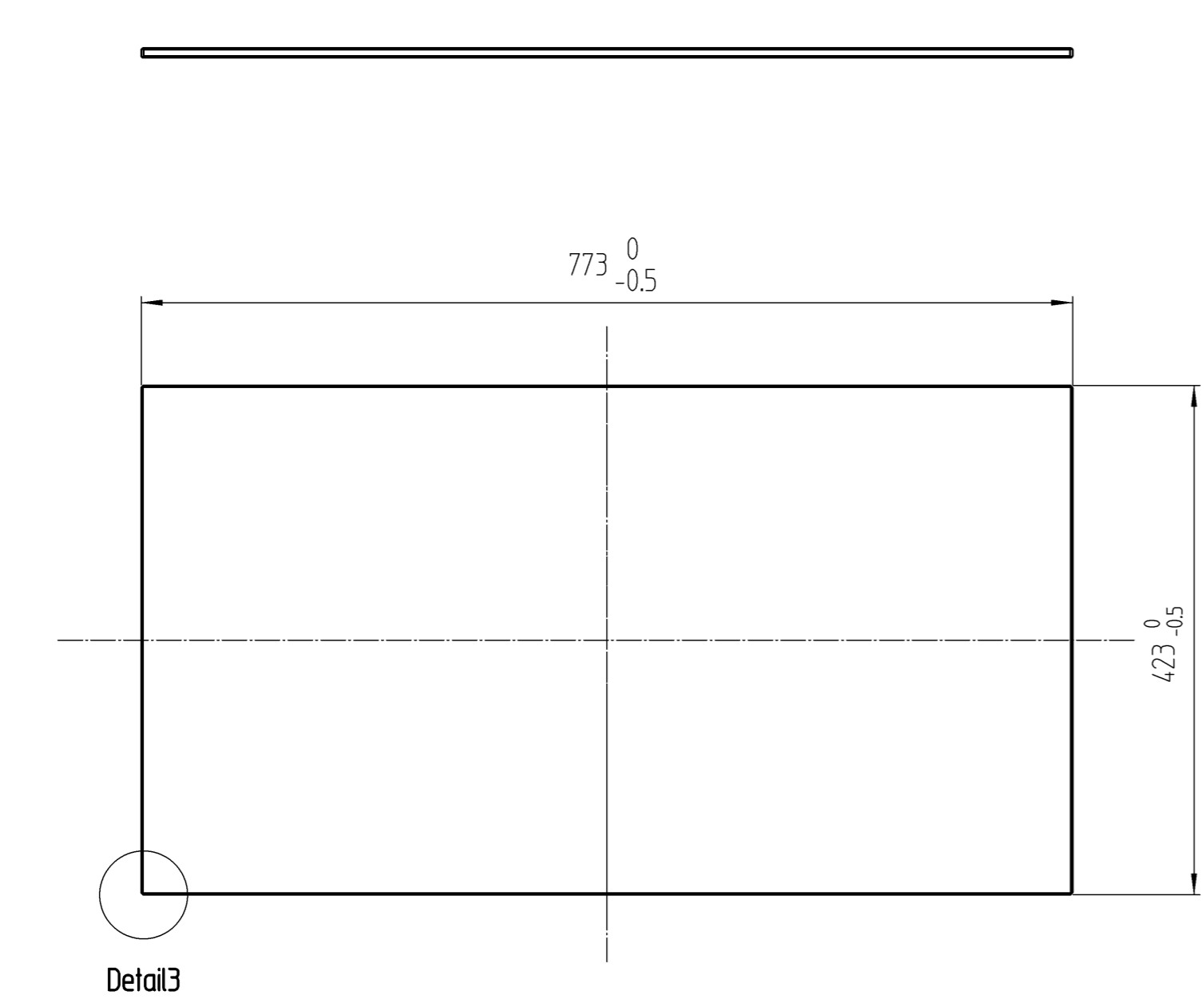


Any intellectual property right subsisting in this drawing is owned by our companies. Transmitting, using or copying without permission is prohibited.
Ohne unsere Genehmigung darf diese Zeichnung weder kopiert noch an Drittpersonen weitergegeben werden.



Outer edges circumferentially lined and polished according to DIN 1249-11

Aussenkanten umlaufend gesäumt und poliert gemäss DIN 1249-11

1	ESG 8mm	63600108	1			
Piece	Designation/Description	Drawing/Mat.-Nr.	Pos	Material	DIN/VBN	Remark
Changings						
A						
Used by		First used for		Foreign designation		Format Index Sheet
	Date	Name	Weight/kg	6,791	Development No.	
Designed	09.07.20	Studer_A	Free Dim. Tol.	Main Scale	704-727 3 A 1/1	
Released	31.07.20	Studer_A	ISO 2768-mK	1:5	Replacement for	
In Change						
Designation				Einlegeboden Glas A800 T475 für oben/unten & Tablarrahmen		
Project Customer901						
www.visplay.com						