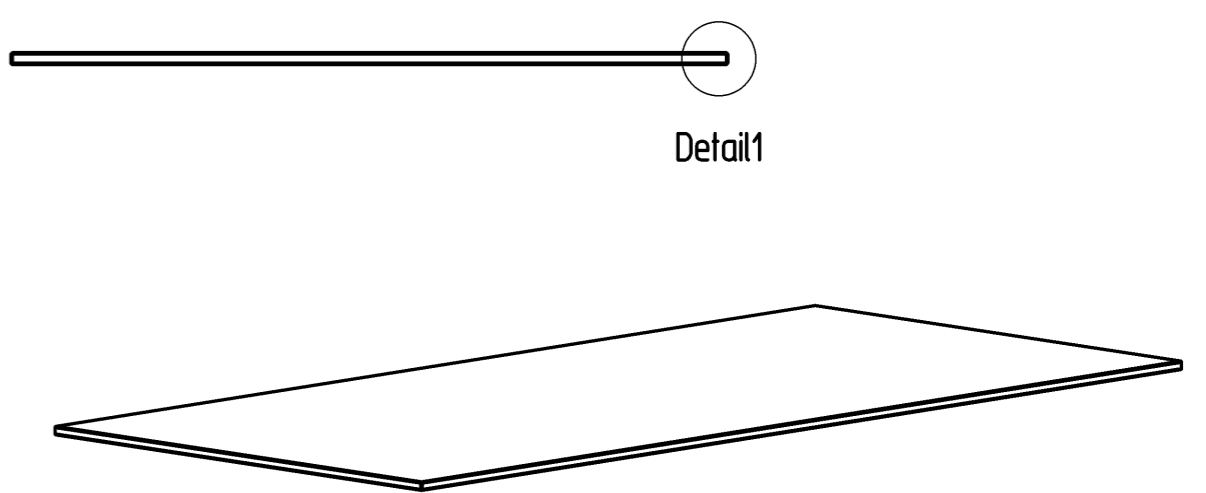
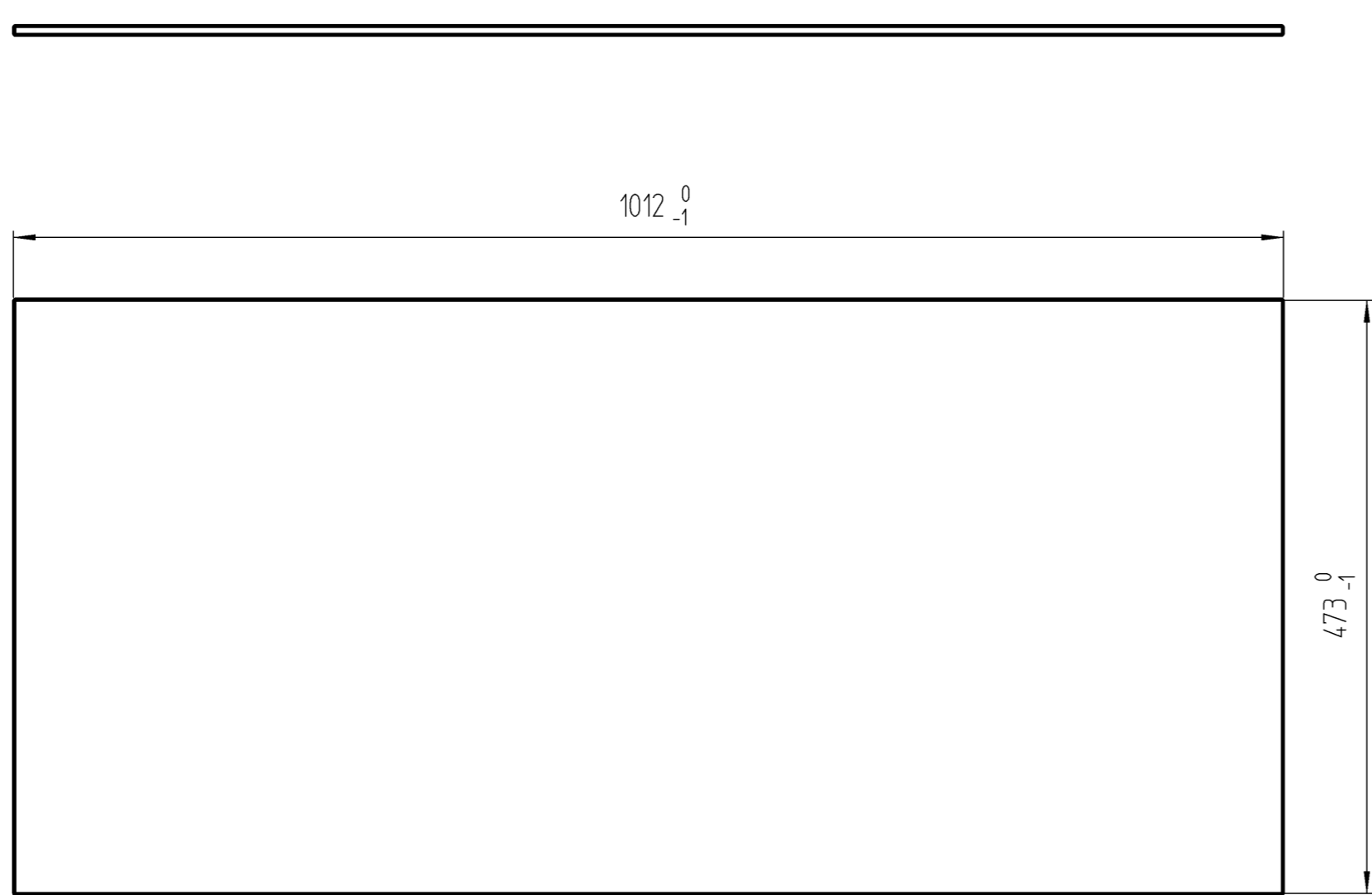
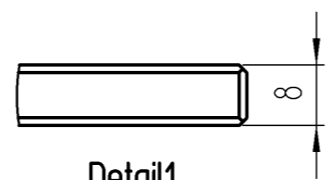


Any intellectual property right subsisting in this drawing is owned by our companies. Transmitting, using or copying without permission is prohibited.
Ohne unsere Genehmigung darf diese Zeichnung weder kopiert noch an Drittpersonen weitergegeben werden.




Aussenkanten umlaufend gesäumt und geschliffen
gemäss DIN 1249-11
alle Aussenecken gefast $\sim 1,5 \times 45^\circ$

Outer edges circumferentially lined and sanded
according to DIN 1249-11
all outer corners chamfered $\sim 1,5 \times 45^\circ$



Detail1
1:1

1	ESG 8mm	63600108	1			
Piece	Designation/Description	Drawing/Mat.-Nr.	Pos	Material	DIN/VBN	Remark
Changings						
A						
Used by		First used for		Foreign designation		Format Index Sheet
	Date	Name	Weight/kg	9,991	Development No.	
Designed	15.04.20	Renk_A	Free Dim. Tol. ISO 2768-mK	Main Scale 1:5	704-366 3 A 1/1	
Released	15.04.20	Renk_A				
In Change			Replacement for			
Designation				Glas-Abdeckpl. auß. T475 A1000		
Project						
Customer901						
www.visplay.com			