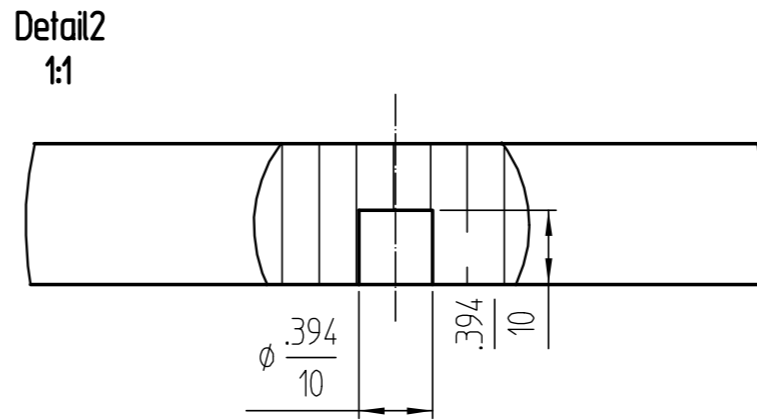
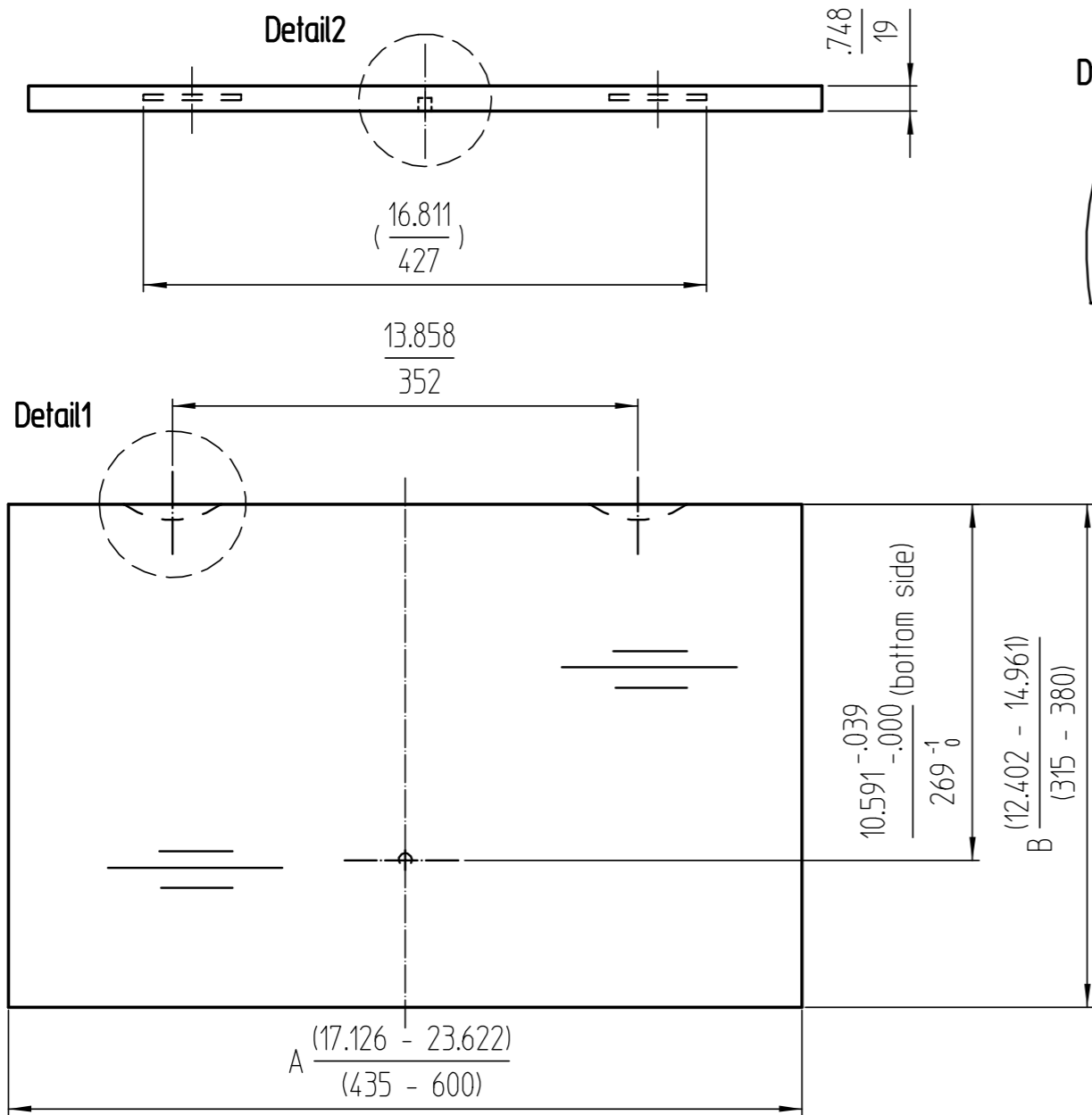


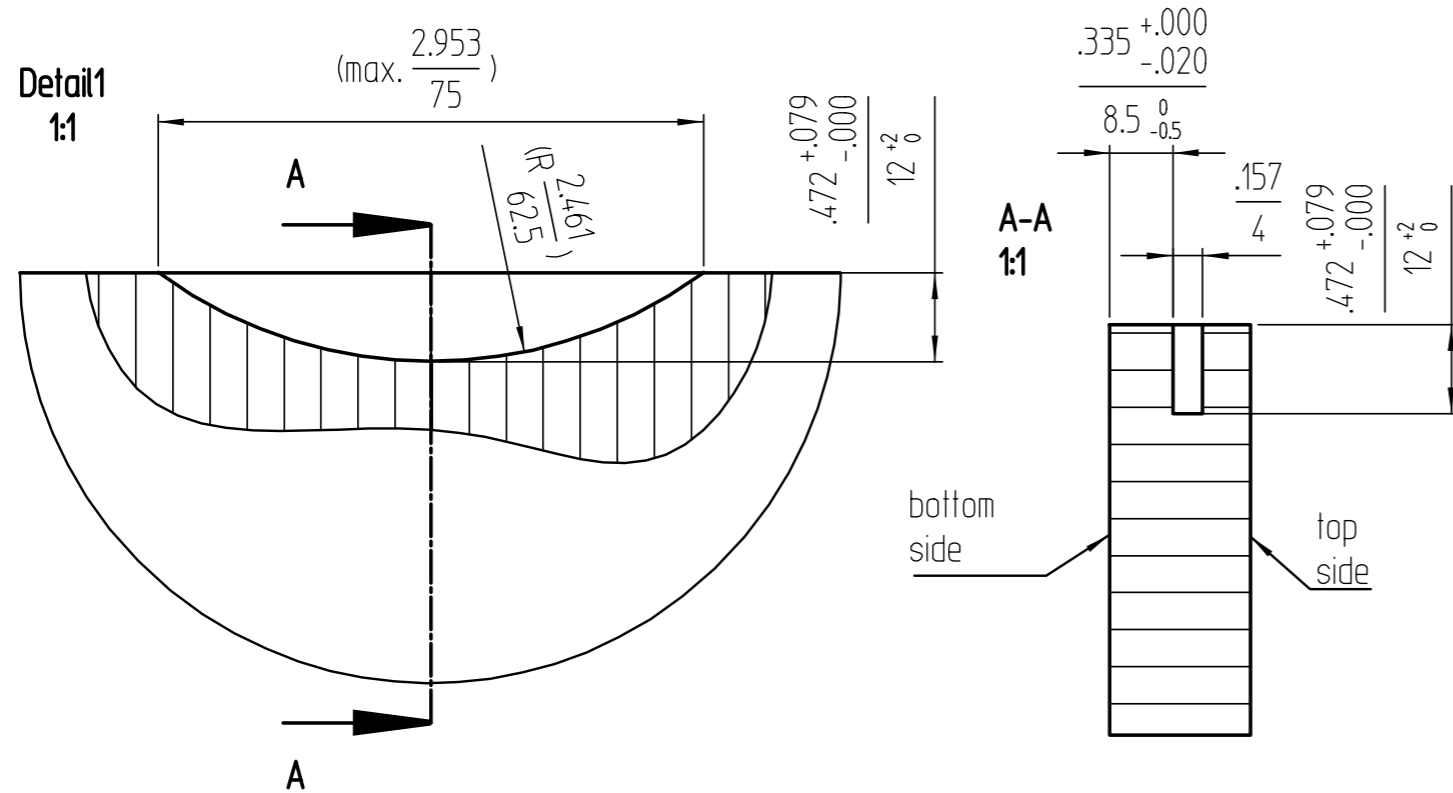
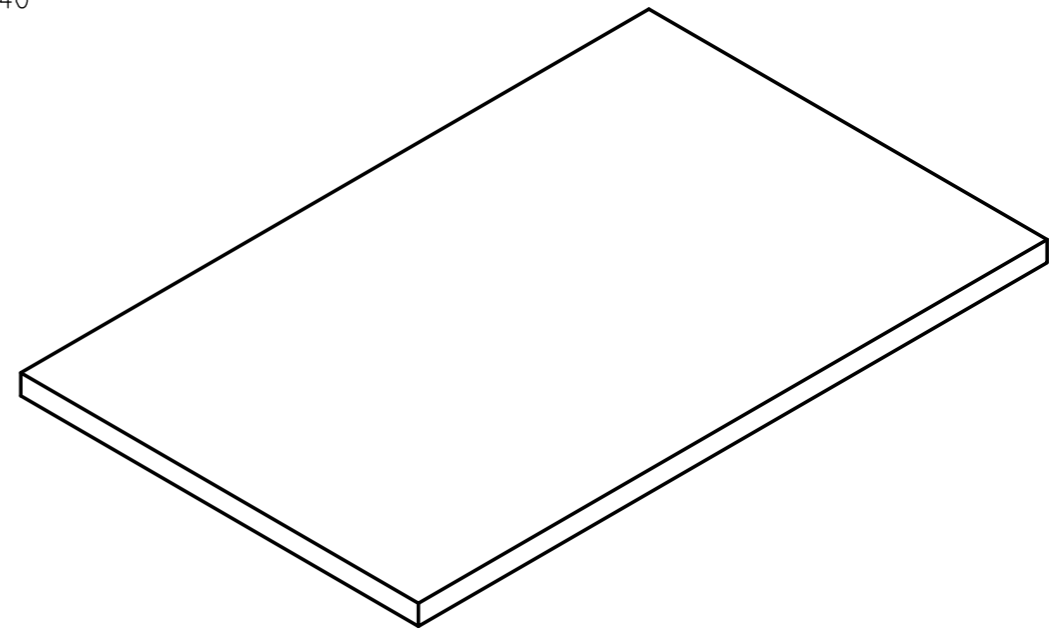
Any intellectual property right subsisting in this drawing is owned by our companies. Transmitting, using or copying without permission is prohibited.



measure	min.	max.
A	435	600
B	315	380

measure	min.	max.
A	17.126	23.622
B	12.402	14.961

drawn: 23.622x14.961x0.748
drawn: 600x380x19



round off all edges user contact at least with radius of R .079/R 2

plate material, surface and edges according to the order

Piece	Designation /Description	Drawing/Mat.-Nr.	Pos	Material	DIN/VBN	Remark	
Changings							
C Zeichnungüberarbeitung; Breite max. 600						martin	27.10.05
Used by	Vk	First used for	Vk	Foreign Designation		Format Index Sheet	
	Date	Name	Wheight/kg	3,299	Development No.		
Designed	07.04.03	uecker	Free Dim. Tol.	Main Scale	375-895 3 C 1		
Released	29.11.10	Buerqin_	HT 25	1:5	Replacement for		
In Change							
Designation				wooden shelf AxBx19 for shelf support bracket			
Projekt E01019 Customer 901				www.visplay.com			
				visplay			