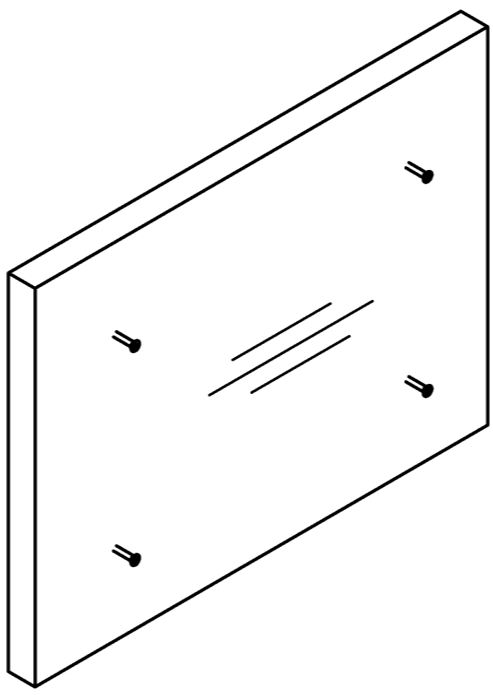
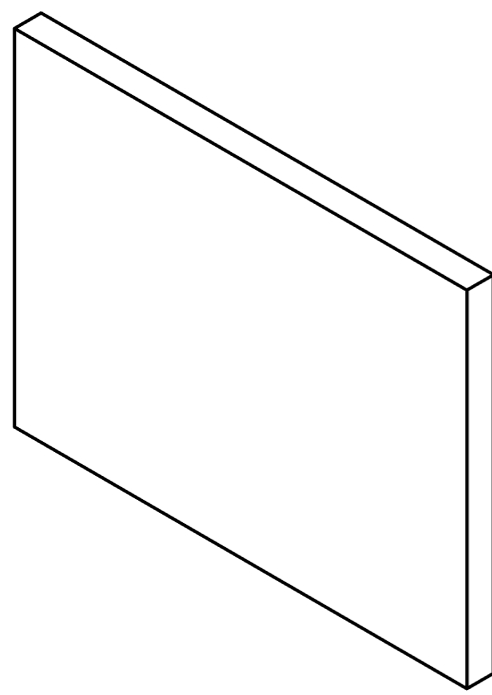
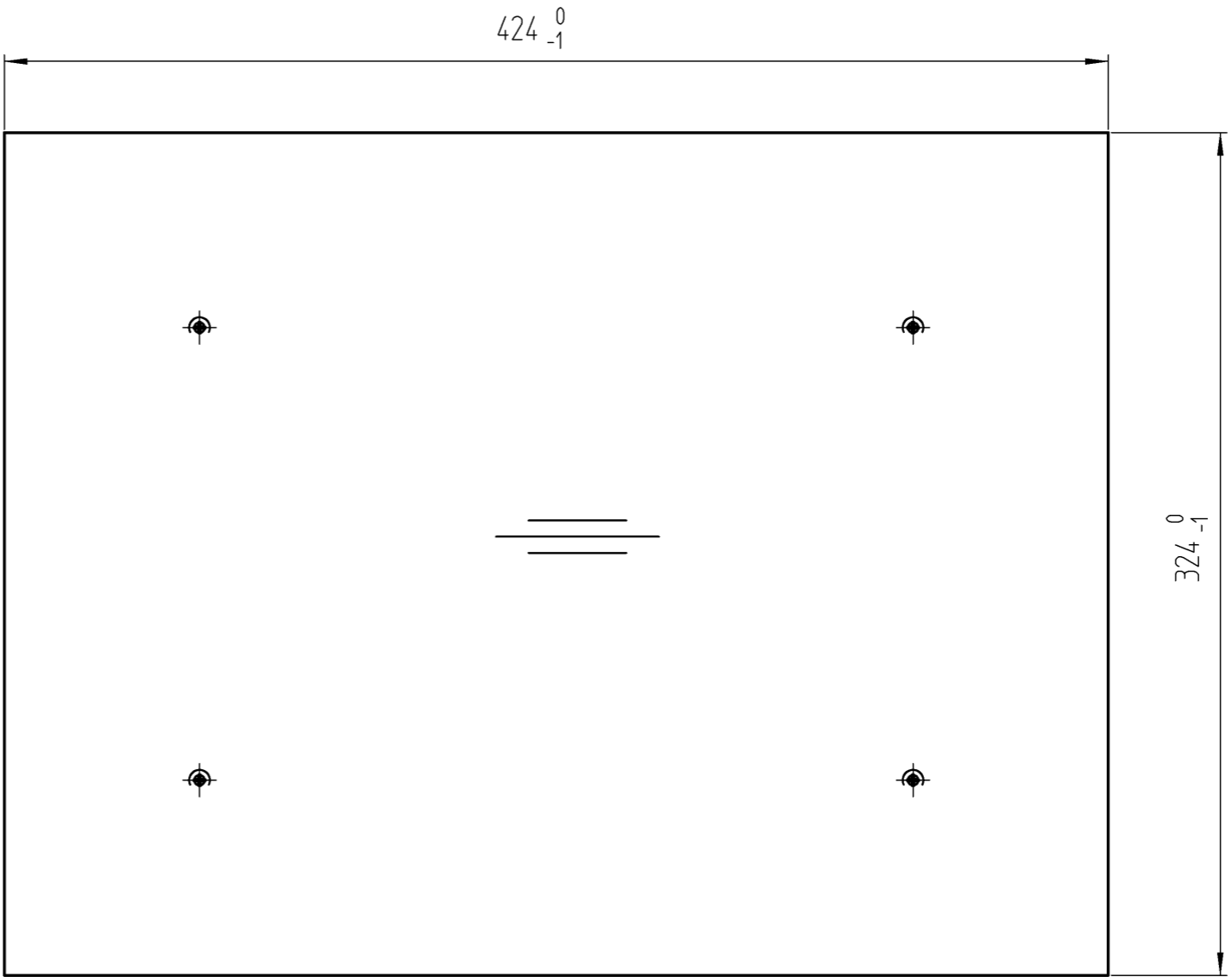
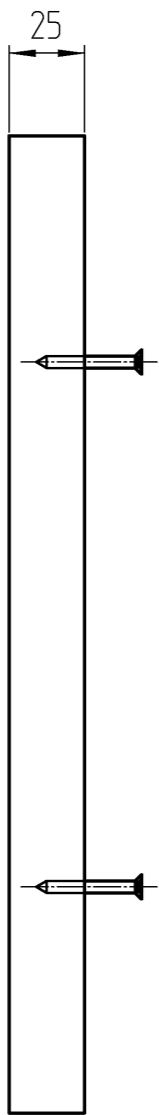


Any intellectual property right subsisting in this drawing is owned by our companies. Transmitting, using or copying without permission is prohibited.
Ohne unsere Genehmigung darf diese Zeichnung weder kopiert noch an Drittpersonen weitergegeben werden.



Holz, Kante und Oberfläche nach Auftrag
wood, edges and surface to be advised

4	Senk-Holzschr. 4x35	61108313	2	St	7997	SPAX, verzinkt
1	wooden side panel 25mm	278164	1			
Piece	Designation/Description	Drawing/Mat.-Nr.	Pos	Material	DIN/VBN	Remark

Changings

Used by		First used for		Foreign designation		Format	Index	Sheet
	Date	Name	Weight/kg	Development No.				
Designed	10.06.20	Studer_A	2,59	278-178		3	A	1/1
Released	09.11.20	Studer_A	Free Dim. Tol. ISO 2768-mK	1:2		Replacement for		
In Change								

Designation			wooden mid panel Set 25mm Mittelblenden Set 25mm		
Project			Customer901		
www.visplay.com					

visplay