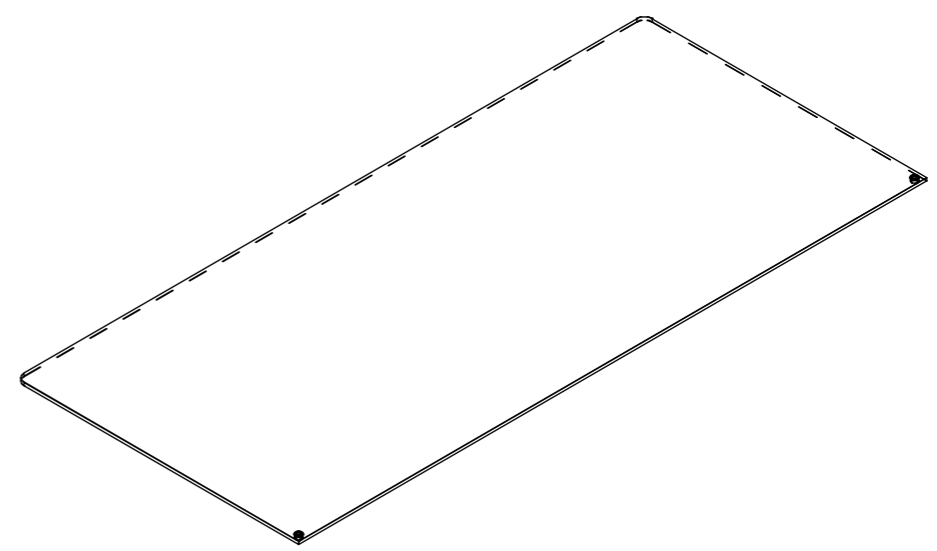
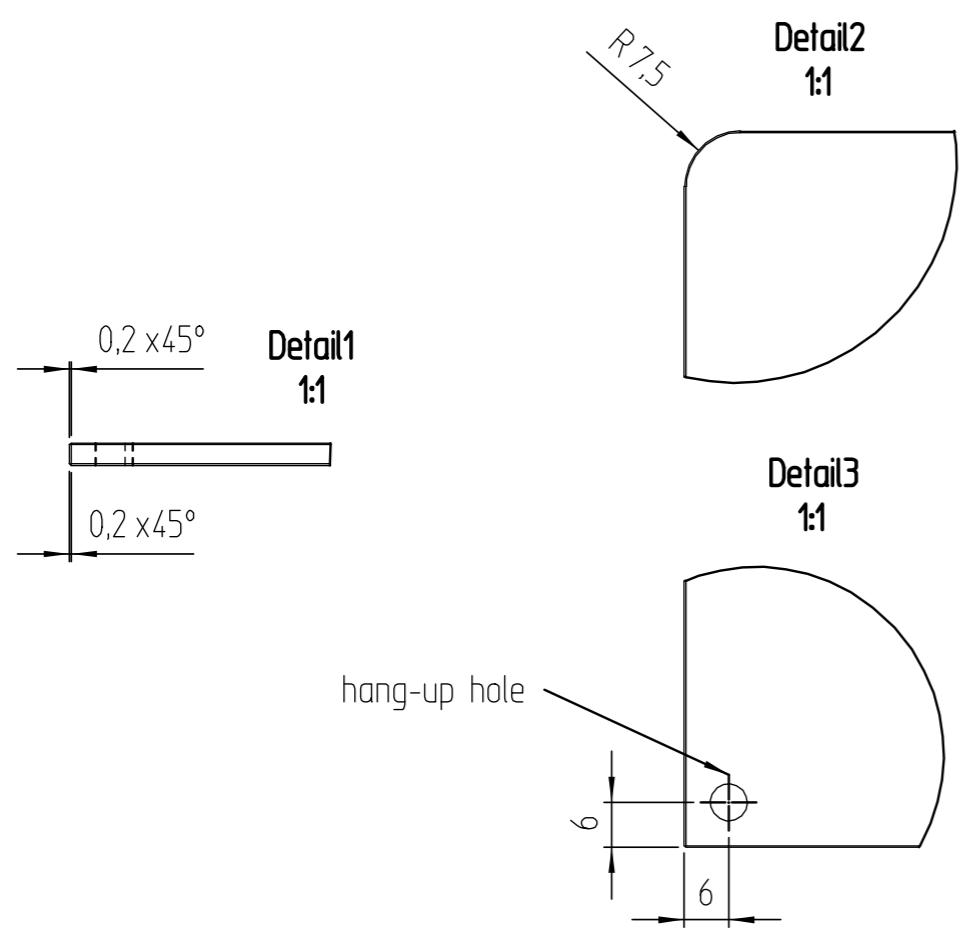
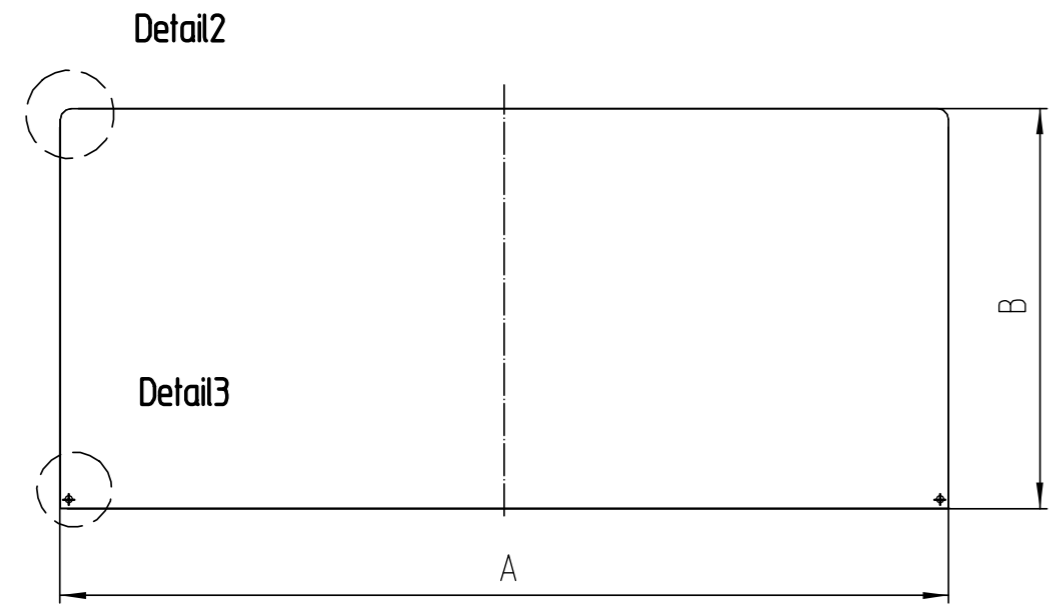


Any intellectual property right subsisting in this drawing is owned by our companies. Transmitting, using or copying without permission is prohibited.

8 7 6 5 4 3 2 1

F  
E  
D  
C  
B  
A

F  
E  
D  
C  
B  
A



3mm aluminium sheet						
Piece	Designation /Description	Drawing/Mat.-Nr.	Pos	Material	DIN/VBN	Remark
Changings						
B		Bohrung ergänzt		Uecker_M		04.03.05
Used by		First used for		Foreign Designation		Format Index Sheet
	Date	Name	Wheight/kg	0,583	Development No.	
Designed	24.01.05	Metzger_	Free Dim. Tol.	Main Scale	035-664 3 B 1	
Released	27.03.09	Buerqin_	ISO 2768-mK	1:5	Replacement for	
In Change						
Designation				aluminium shelf AxBx3		
Projekt Customer991						
www.visplay.com						

8 7 6 5 4 3 2 1