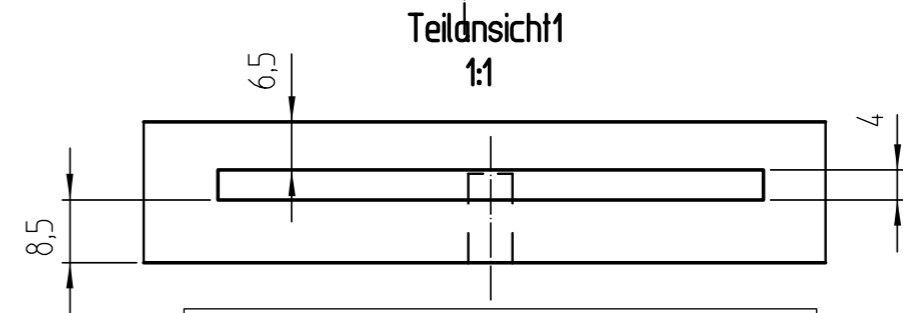
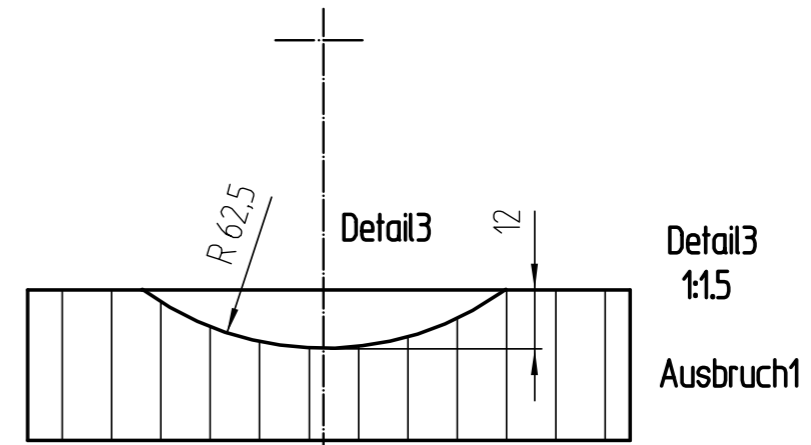
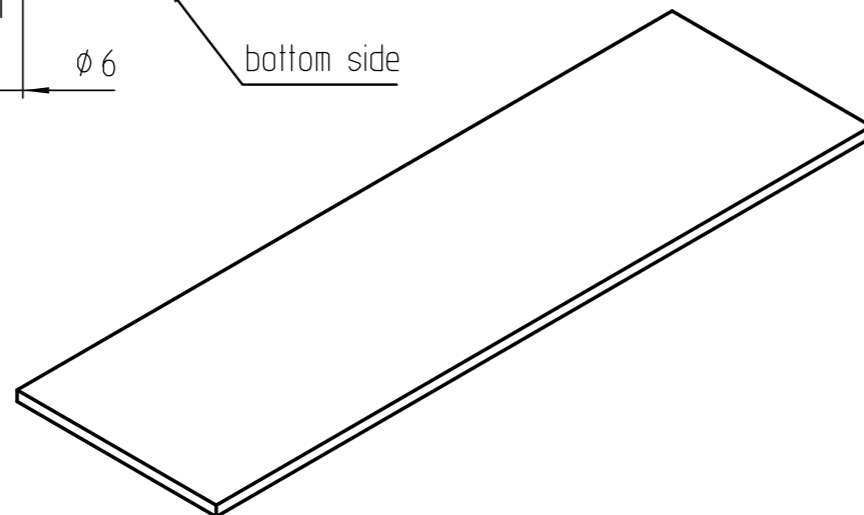
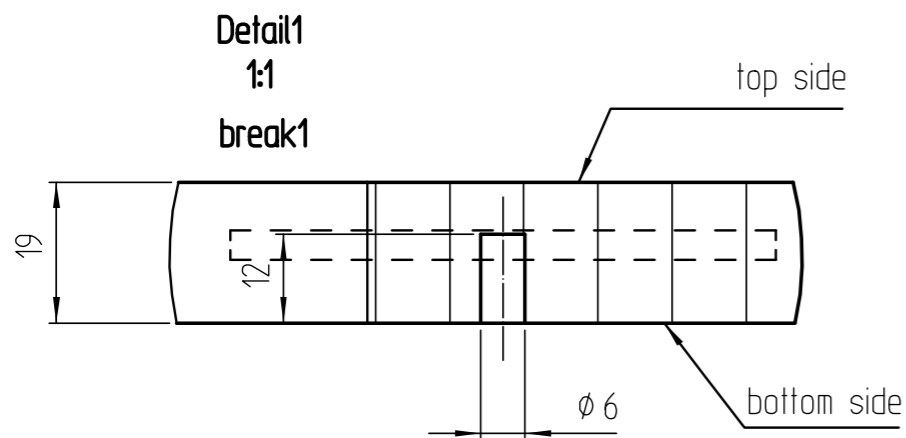
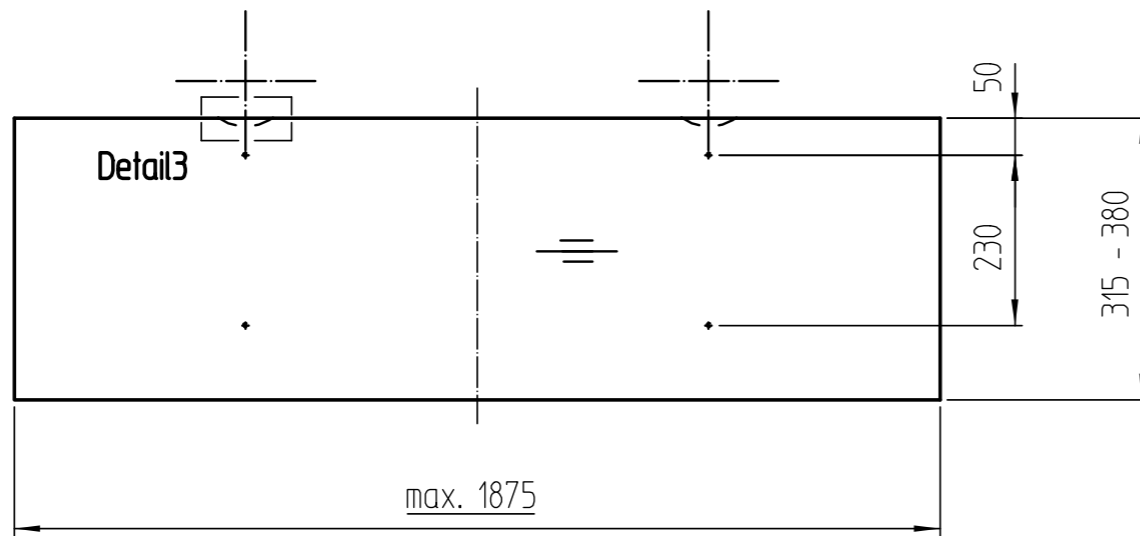
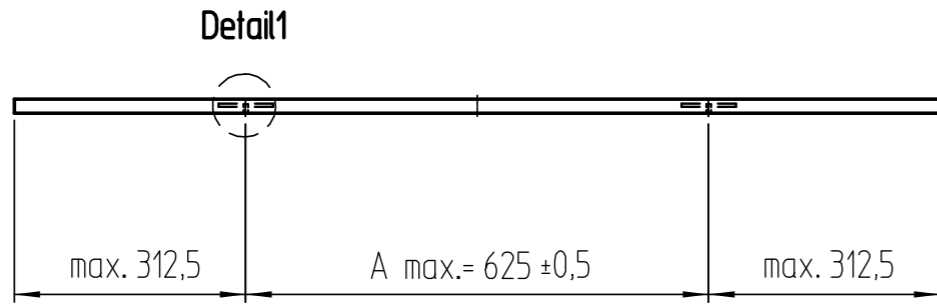


Any intellectual property right subsisting in this drawing is owned by our companies. Transmitting, using or copying without permission is prohibited.

drawn: 1250x380x19



Shelf can be used as follows:

With Holes D6 without milling  
- Stripes 30x5

- With milling without holes D6
- Mono 55
  - Mono R30
  - Mono 25
  - Mono 20
  - Invisible 6
  - Invisible 8
  - Beam D25
  - Xero 30x5 only 340-207
  - Xero Twin
  - Steel
  - Grid 40

round off all edges users contact at least with radius of R2

plate material, surface and edges according to the order

Piece	Designation /Description	Drawing/Mat.-Nr.	Pos	Material	DIN/VBN	Remark
Changings	F	Ø 8,5 und 6,5 hinzu			Renk_A	01.07.09
	E	Einfräbung hinzu			Renk_A	20.02.09
Used by	VK	First used for	VK	Foreign Designation	Format	Index
	Date	Name	Weight/kg	6,768	Development No.	
Designed	14.12.98	uecker	Free Dim. Tol.	Main Scale	980-299	3 F 1
Released	01.07.09	Renk_A	HT 25	1:5		
In Change						
Designation						Replacement for
<b>wooden shelf</b> <b>max.1875 x max.380 x 19</b>						
Projekt 81.132 Customer 901						
www.visplay.com						