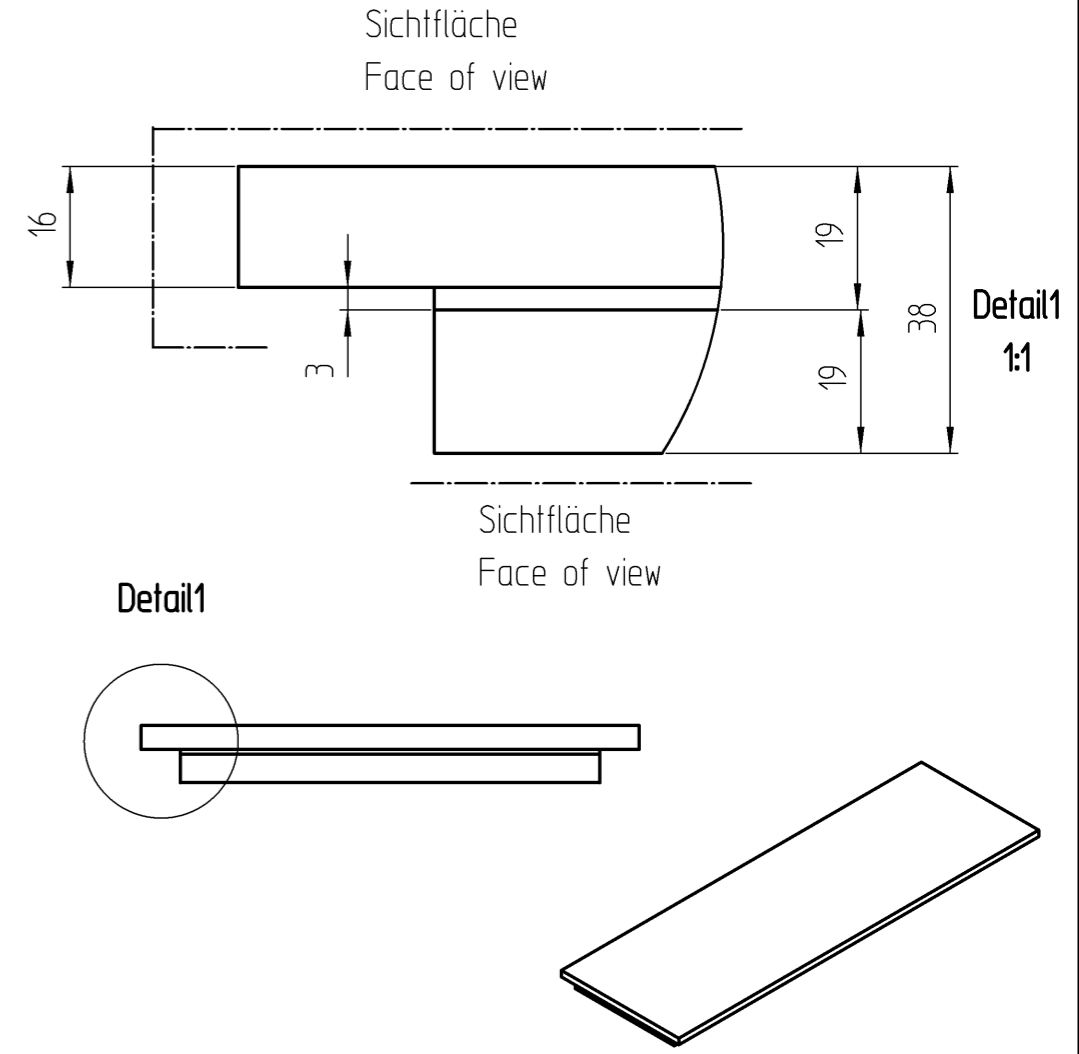
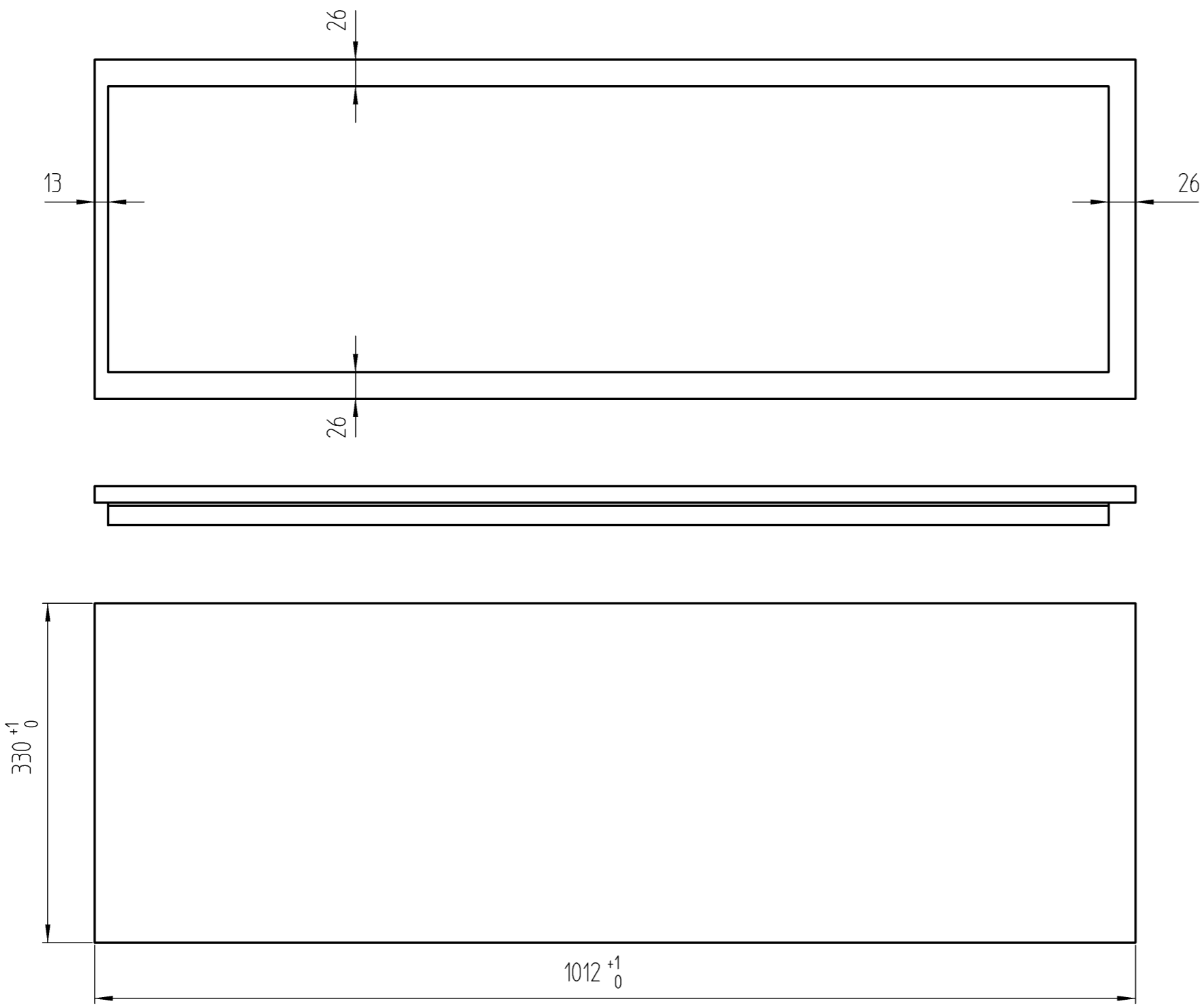
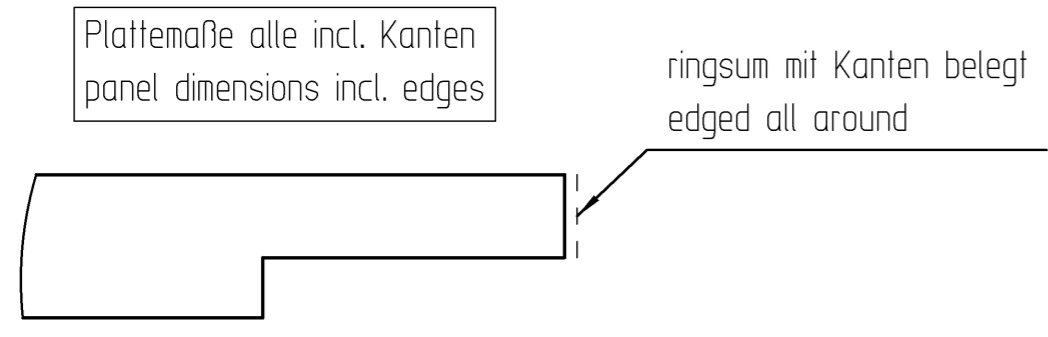


Any intellectual property right subsisting in this drawing is owned by our companies. Transmitting, using or copying without permission is prohibited. Ohne unsere Genehmigung darf diese Zeichnung weder kopiert noch an Drittpersonen weitergegeben werden.



Holz, Kanten und Oberfläche nach Auftrag
Definierte Schmalseiten mit Kante belegt.
Belegte Kante mit min. Radius R2mm versehen

wood, edges & surface to be advised
defined narrow side covered with edges
edges with R2mm



| Piece | Designation/Description | Drawing/Mat.-Nr. | Pos | Material | DIN/VBN | Remark |
|-----------------|-------------------------|------------------|----------------|--------------------------------|-----------------|--------------------|
| Changings | | | | | | |
| Used by | | First used for | | Foreign designation | | Format Index Sheet |
| | Date | Name | Weight/kg | 8,469 | Development No. | |
| Designed | 10.11.20 | Studer_A | Free Dim. Tol. | Main Scale | 704-967 | 3 A 1/1 |
| Released | 16.11.20 | Studer_A | HT 25 | 1:5 | | |
| In Change | | | | | Replacement for | |
| Designation | | | | wooden side shelf A1000 T330 | | |
| Project | | | | Abdeckplatte aussen A1000 T330 | | |
| Customer | | | | 901 | | |
| www.visplay.com | | | | | | |