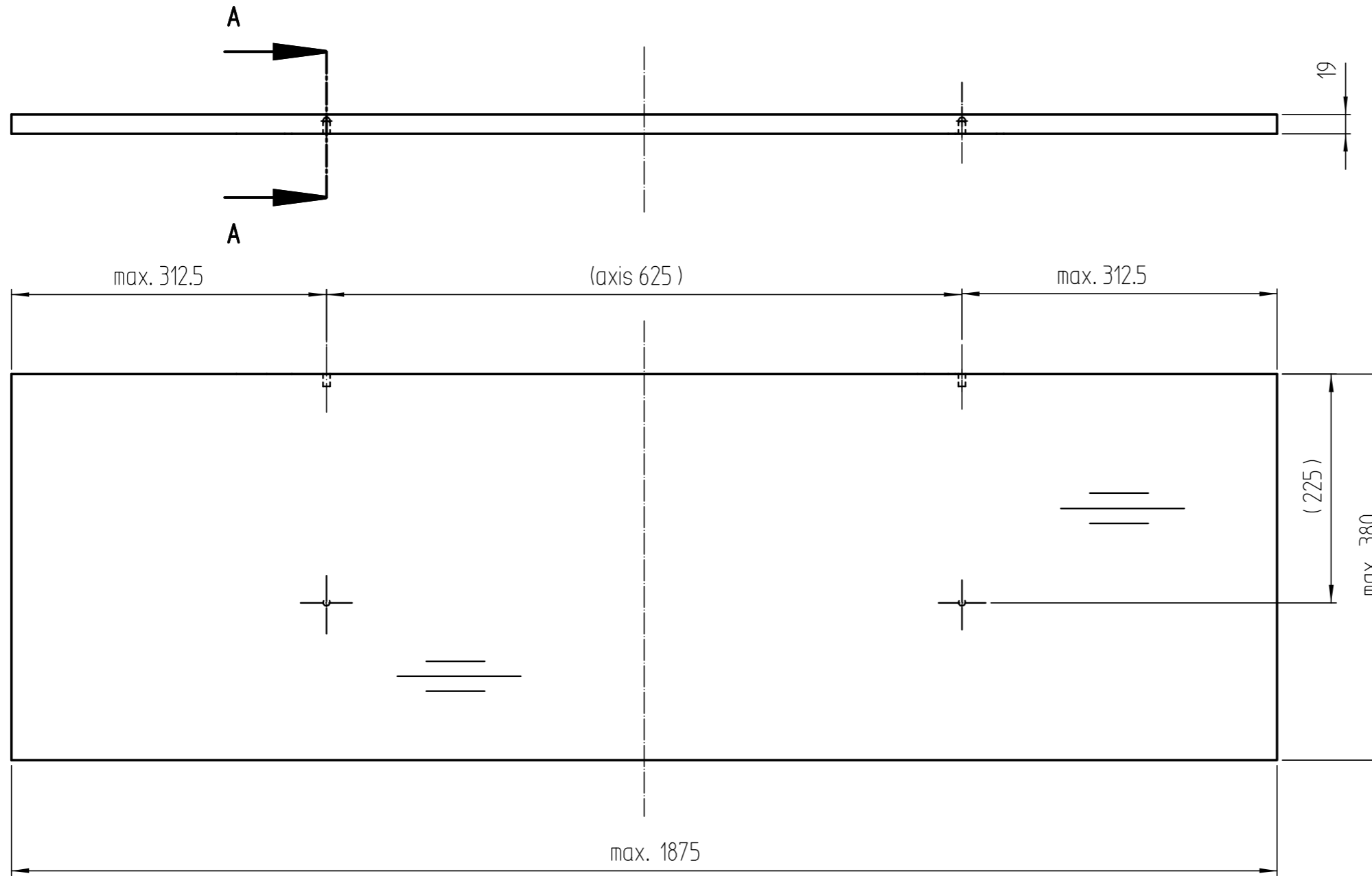
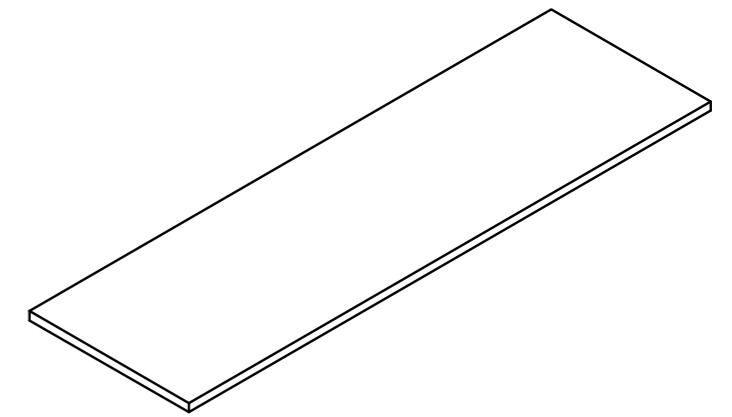


Any intellectual property right subsisting in this drawing is owned by our companies. Transmitting, using or copying without permission is prohibited.



drawn: 1245x380x19



round off all edges users contact at least with radius of R2

plate material, surface and edges according to the order

part view A-A  
1:1



Piece	Designation /Description	Drawing/Mat.-Nr.	Pos	Material	DIN/VBN	Remark
Changings						
D Bemäung und Bezeichnung geändert				Buerqin_ 09.10.08		
Used by	Vk	First used for	Vk	Foreign Designation		Format Index Sheet
	Date	Name	Wheight/kg	6,74	Development No.	
Designed	07.11.00	gais	Free Dim. Tol.	Main Scale	286-619 3 D 1	
Released	09.10.08	Buerqin_	HT 25	1:10	Replacement for	
In Change						
Designation				wooden shelf AxBx19		
Projekt 81.101 Customer 901						
www.visplay.com						