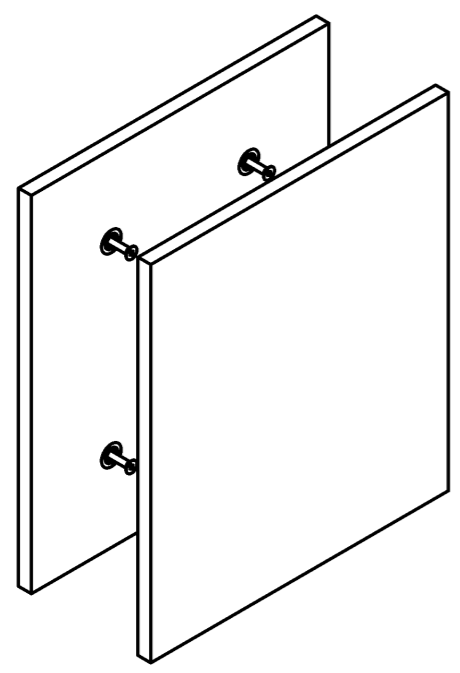
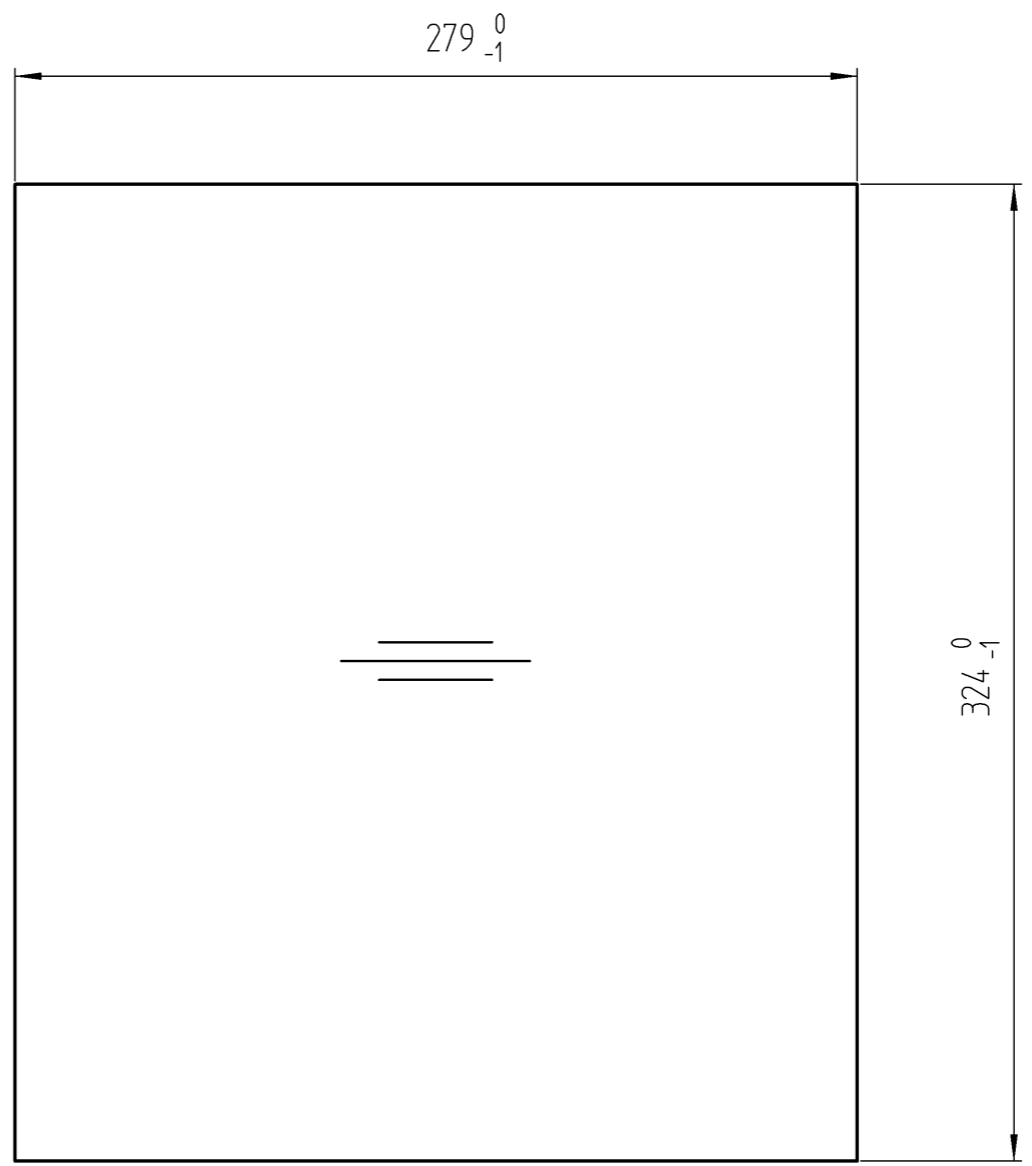
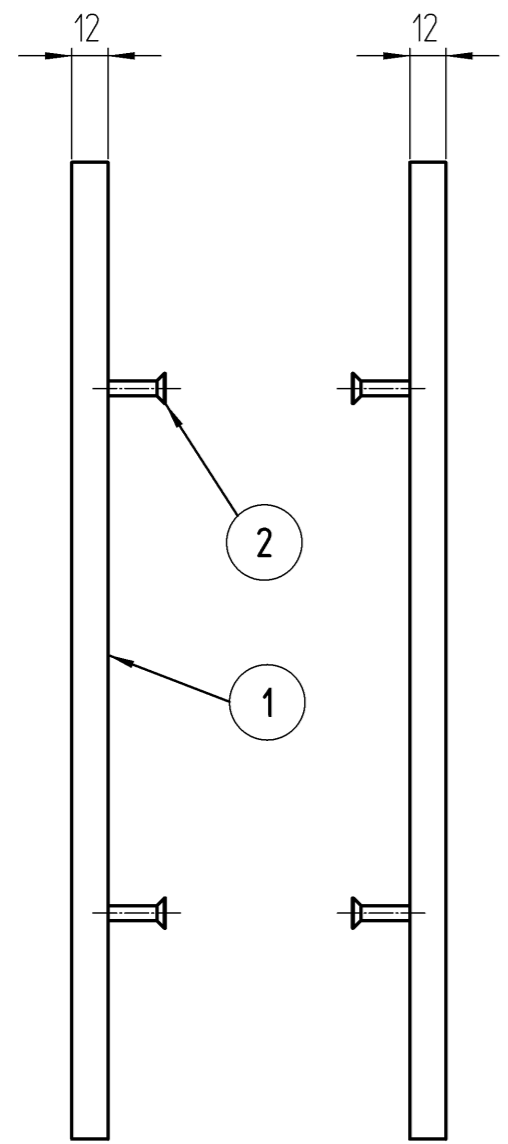


Any intellectual property right subsisting in this drawing is owned by our companies. Transmitting, using or copying without permission is prohibited.
Ohne unsere Genehmigung darf diese Zeichnung weder kopiert noch an Drittpersonen weitergegeben werden.



Holz, Kante und Oberfläche nach Auftrag
wood, edges and surface to be advised

Piece	Designation/Description	Drawing/Mat.-Nr.	Pos	Material	DIN/VBN	Remark
8	Senkschraube M5x25	61105114	2	8.8	7991	verzinkt
2	wooden side panel 12mm	284450	1			

Changings

Used by	Date	Name	First used for	Weight/kg	Foreign designation	Format	Index	Sheet
Designed	06.11.20	Studer_A	Free Dim. Tol.	1,719	Development No.			
Released	09.11.20	Studer_A	HT 25		704-984	3	A	1/1
In Change					1:2.5			

Designation: **wooden side panel Set 12mm**
Seitenblende 12mm T330

Project: Customer901

www.visplay.com