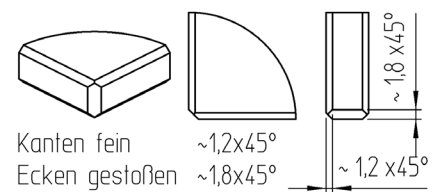
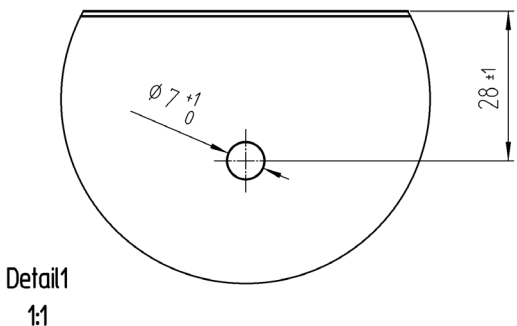
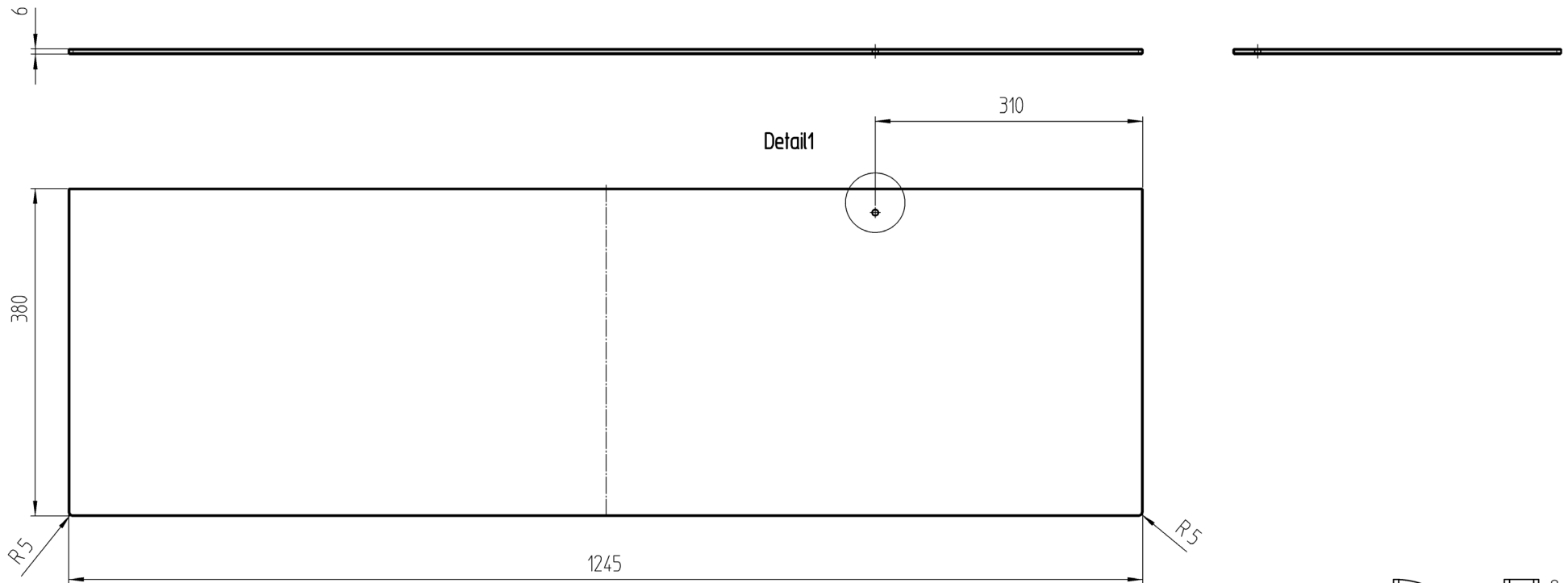


Any intellectual property right subsisting in this drawing is owned by our companies. Transmitting, using or copying without permission is prohibited.  
Ohne unsere Genehmigung darf diese Zeichnung weder kopiert noch an Drittpersonen weitergegeben werden.



Kanten fein  $\sim 1,2 \times 45^\circ$   
Ecken gestoßen  $\sim 1,8 \times 45^\circ$

1	ESG 6mm	63600106	1			
Piece	Designation/Description	Drawing/Mat.-Nr.	Pos	Material	DIN/VBN	Remark
Changings						
Used by		First used for		Foreign designation		Format Index Sheet
	Date	Name	Weight/kg	Development No.		
Designed	05.03.26	Ewald_A	7,371	800-6089		3 A 1/1
Released	25.03.26	Ewald_A	Free Dim. Tol.	Main Scale	Replacement for	
In Change				1:5		
Designation				Glastablar 1245x380x6mm		
Project						
Customer991						
www.visplay.com						