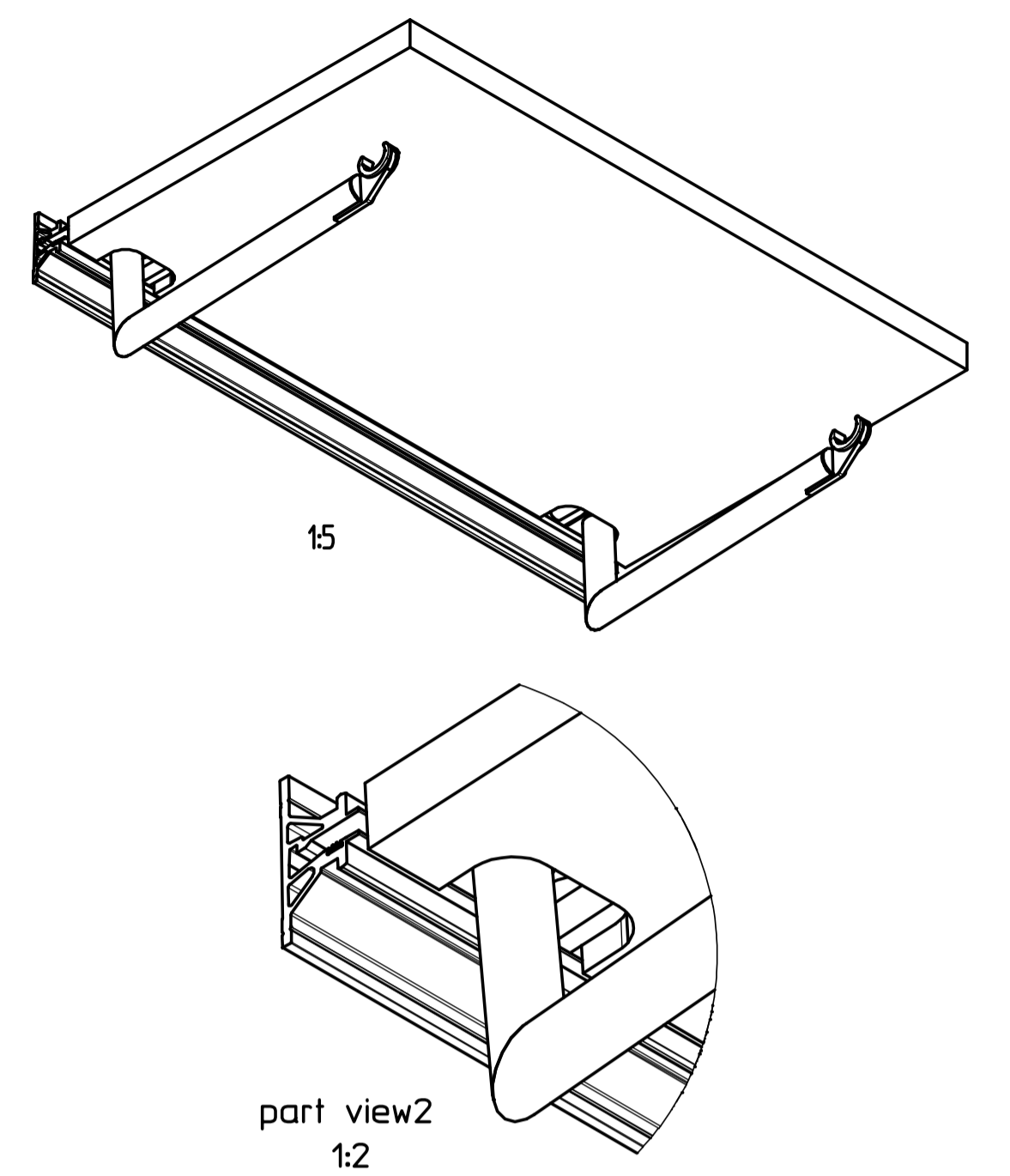
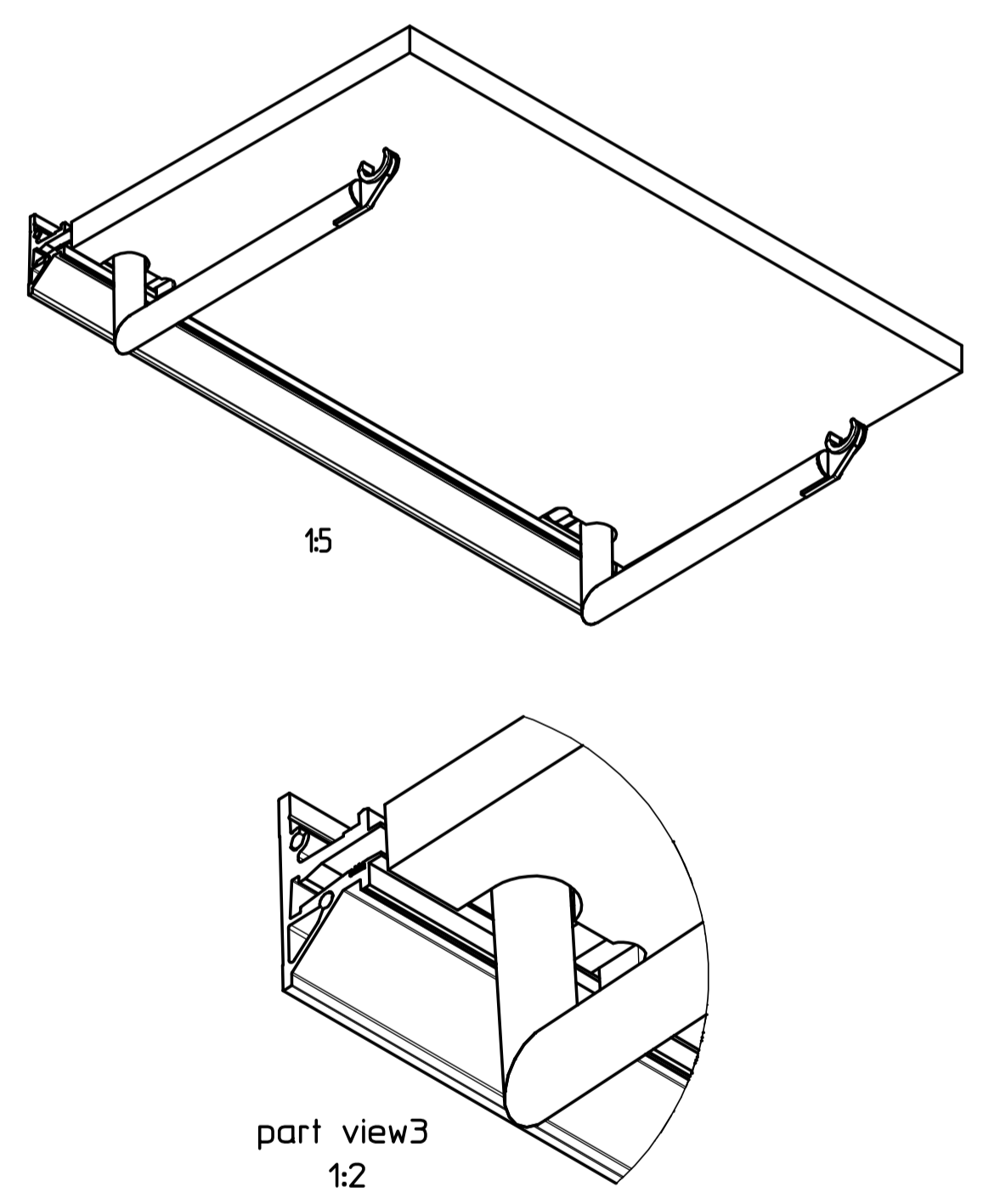


Invi 6



Invi 8



Round off all edges user contact at least with radius R2!
Plate material, surface and edges according to the order.

Piece	Designation /Description	Drawing/Mat.-Nr.	Pos	Material	DIN/VBN	Remark
Changes	F Maß geändert					Uecker_M 10.08.15
	E Maß 33 und 42 ergänzt					Buerqin_ 09.03.15
Used by		First used for		Foreign Designation	Format	Index Sheet
Designed	07.06.00	Uecker	Weight/kg	14,328	Development No.	
Released	10.08.15	Uecker_M	Free Dim. Tol.	Hauptmaßstab	286-517	1 F 1
In Change			HT 25	1:1	Replacement for	
Designation						
wooden shelf to attach 620x380x26						
Projekt 81_132						
Customer 901						
www.vitra.com						



Any intellectual property right subsisting in this drawing is owned by our companies. Transmitting, using or copying without permission is prohibited.