

Kado 15

Assembly and operating instructions
USA & CANADA

visplay

play it smart

Visplay products are manufactured according to the latest technology and comply with valid rules and regulations.

Nevertheless, these products can cause injury or damage if:

- the product is improperly installed
- the product is improperly used
- the product is improperly altered or modified
- original accessories are not used
- the safety regulations are not observed.

WARNING

Each person involved in the planning, installation and/or use of our products must be carefully read and observe these instructions of use.

The following are of course also valid:

- Relevant accident prevention regulations
- Generally recognized safety rules
- National regulations – please consult Visplay if there is a discrepancy with the Assembly manual

Safety instructions

WARNING

When playing, children often incorrectly assess danger. You must therefore make sure that your store fittings are not used as toys.

Please pay attention to the following points:

- Structural conditions, in particular the design and bearing capacity of walls, ceilings and floors. If bearing capacity for the specified tractive or pressure load cannot be achieved by suitable fastening or stabilising elements, please refrain from installation.
- All the structural components supplied for stabilising structures are to be used in an unrestricted manner and must not be removed.
- The products may only be loaded after all the installation steps have been completed.
- Merchandise supports should be loaded as evenly as possible.
- Avoid loading in fits and starts.
- The maximum weight loads is to be observed. This can be found in the instructions on assembly and use, as well as in our sales documentation.
- Furniture with castors is generally much more unstable than furniture with glides. Tall, heavy structures on castors should thus be avoided.
- The recommendations of your safety officer should also be observed.

General care for chrome, silk and pearl

In clothing retail applications, frequent dragging of clothes hangers along the surface can cause slight abrasion to their hooks. This effect is most pronounced - more so than with front-on horizontal or inclined-pole displays - where garments are hung side-on such that hangers have to be moved more frequently. To prevent garments from becoming soiled, cleaning of the hanging rods is essential.

This abrasion can be considerably reduced by using a coat hanger cover (scliss, 929-449.02).

No responsibility can be accepted for damage caused by soiling, as the above mentioned abrasion depends on the material of the coathangers in use.

With powder-coated surfaces subject to frequent use, use of special paints is recommended. We will be happy to advise you.

Use and care of merchandise supports with anodised aluminium surfaces

Visplay merchandise supports with anodised aluminium surfaces are hard-wearing. However, the exchange of accessories might cause slight marks on the surface. Accessories with plastic inserts usually cause less wear or none at all.

To remove the marks, we recommend using cleaning agents ranging from pH 5–8 (do not use any detergents with acidic or alkaline reaction). Clean by washing the surfaces using a sponge and water containing a wetting agent. Then remove any loose or greasy dirt. Rubbing off the surfaces with detergent using pure cotton waste or porous cleaning tissue and applying the necessary pressure in rubbing direction will remove the marks. Aluminium profiles with widths exceeding **200 mm/ 7.874"** must be subjected to abrasive cleaning using detergents specifically developed for this purpose. The cleaning agents developed for abrasive cleaning contain very finely ground neutral polishing agents and have to be adapted to the oxide layer. Alternatively, cleaning can be carried out using an abrasive fibrous web (e.g. Scotch-Brite, type A, red, fine or very fine) in combination with a non-abrasive detergent.

Subsequently, residual cleaning agents should to be rinsed off using a sponge and clear water. Then rub off the part with a chamois.

Copyright

This manual is protected by copyright. Its use is permissible as part of the use of the product. Any use other than this is not permitted without written consent of the manufacturer.

Our General Terms and Conditions apply for all orders.

Dimensions are generally shown in **millimeters** and inches.

Installation dimensions/planning instructions

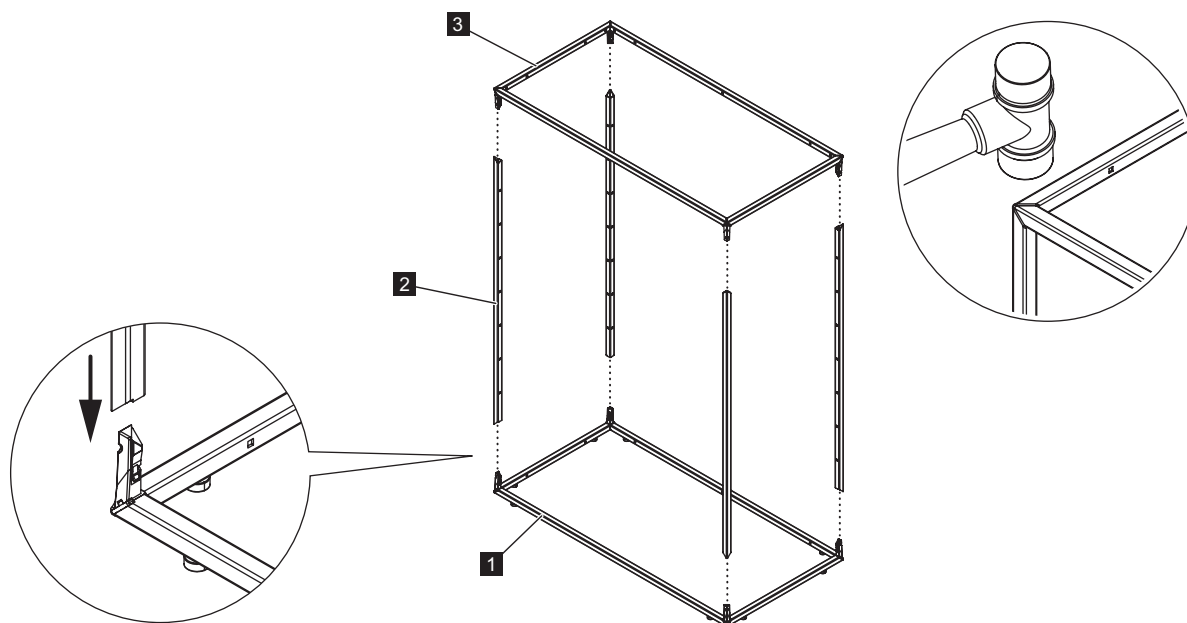
All constructions from Kado 15 function according to the same principle and are delivered part-assembled in flat-pack form.

ⓘ Please observe the information on the loading values and ensure that the substructure of the wall installation/furniture and its fastenings can cope with the expected loads. For free-standing furniture, ensure sufficient tipping stability.

Installation of the construction

Lay the frame with gliders (1) on the floor. Insert the 4 connecting pipes (2) onto the corner pieces of the lower frame, ensuring that the holes point inwards. Place on the upper frame (3) and drive it into place with a rubber hammer.

ⓘ Take care that the pilaster strip will not get damaged.



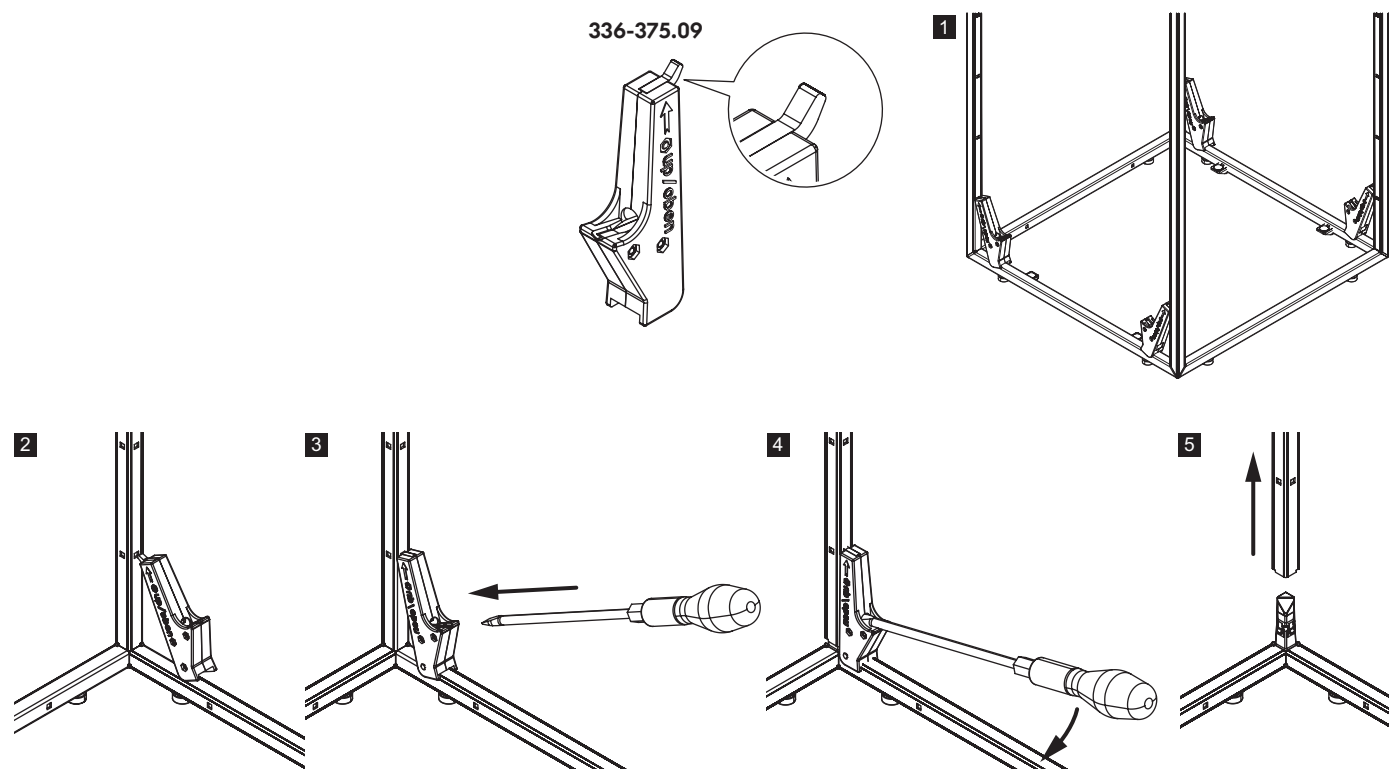
Disassembly of the construction

Place a disassembly tool at each corner of the construction by hand (1), with the nose of the tool inserted into the bottommost hole of the vertical pipe (2).

Feed a screwdriver into the take-up of one of the tools (3) and press

down firmly (4); the pipe releases from the connecting piece. Carry out the same procedure with the other tools.

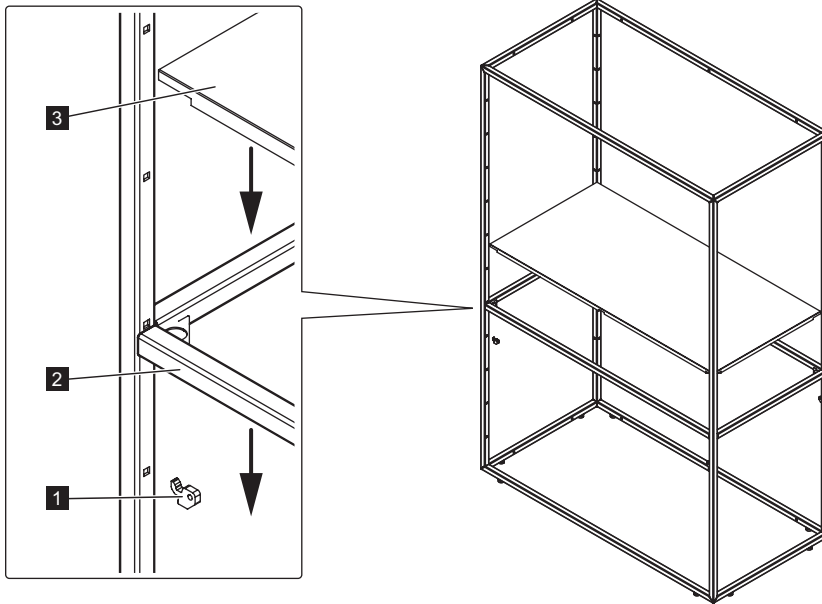
Once all the pipes are released from the connecting corners, the frame can be removed.



Installation of the shelf element frame

The shelf element frames serve to accommodate the wood- and glass shelf elements and to stiffen the construction. A shelf element frame is required to stiffen the construction!

Insert the 4 brackets (1) into the vertical pipes at the same height. Place the shelf element frame (2) onto the brackets. Insert the wood- or glass shelf element (3) into the shelf element frame.

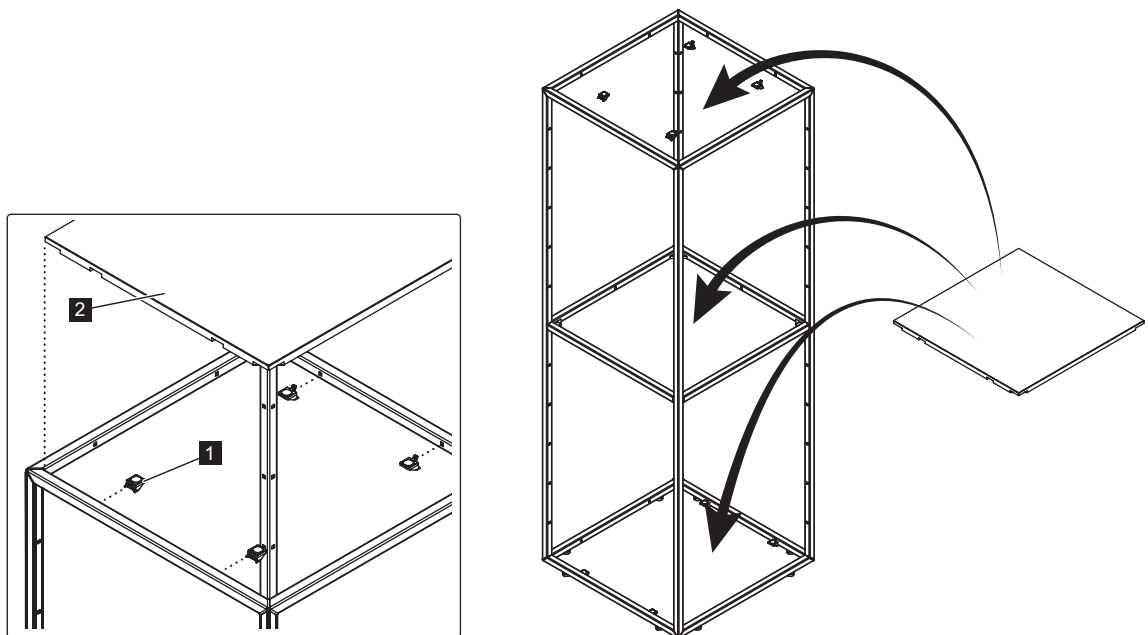


Shelf element support use

Mount the shelf element supports (1), then lay the shelf elements (2) onto them.

For the shelf elements mounted as the topmost and bottommost, shelf element supports (1) must be inserted into the frame. All other shelf

elements lie in the shelf element frame at the corners. For longer shelf elements (from **400 mm/15.748"**), additional shelf element supports are required.

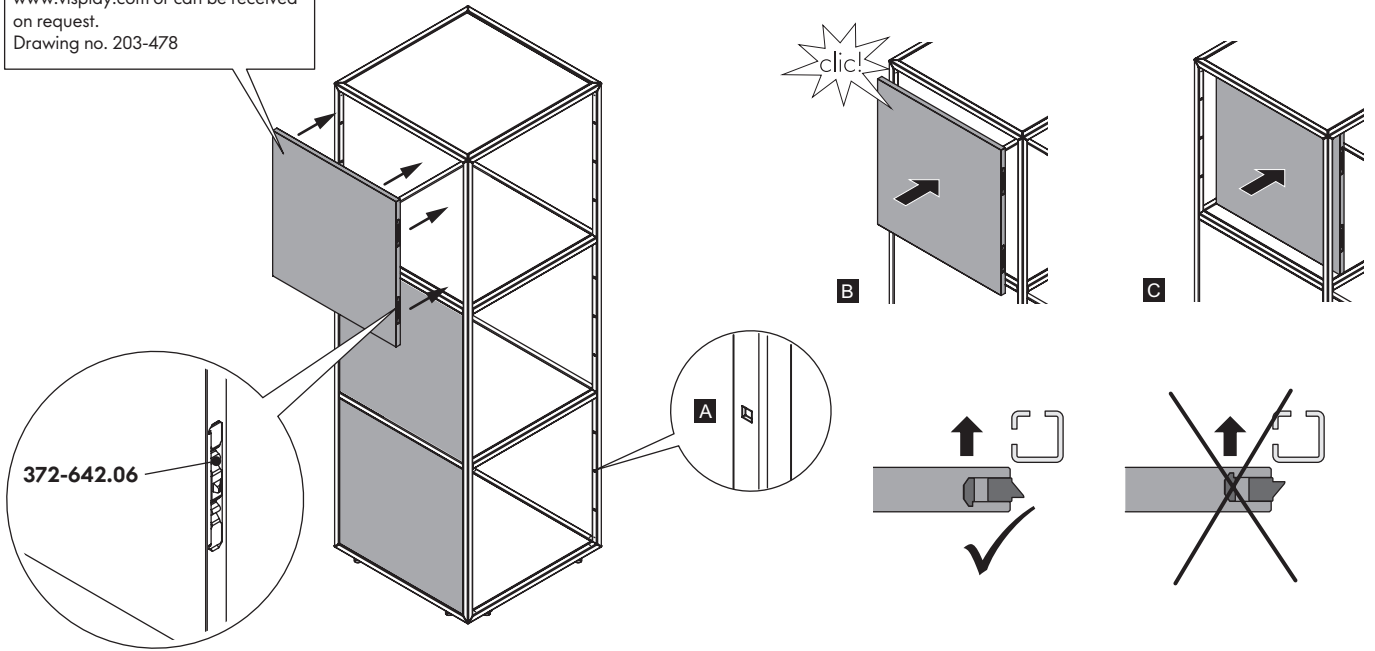


Set of panel fixation clips for wooden back panel

To secure back panels in the square holes (A) on the Kado 15 uprights. Panels can be inserted in the frame (B) and removed again (C) by applying slight pressure.

! For vertical surfaces only (back and side panels). The back panels can only be fitted and removed in one direction.

! Production drawing of the back panel is available for downloading on www.visplay.com or can be received on request. Drawing no. 203-478



Converter bottom

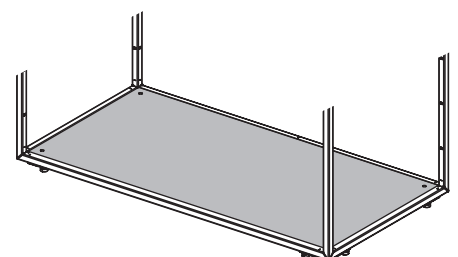
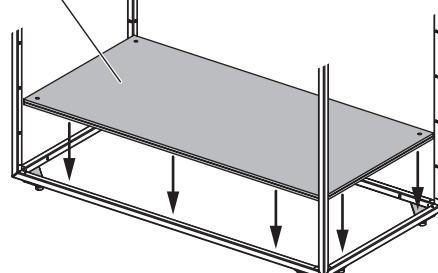
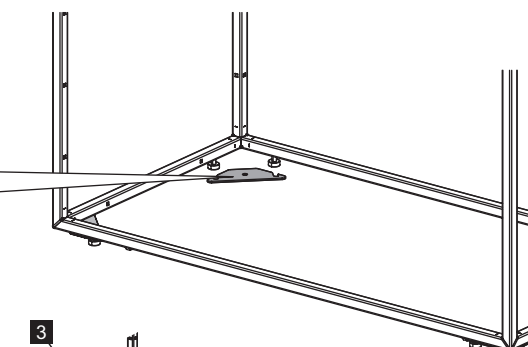
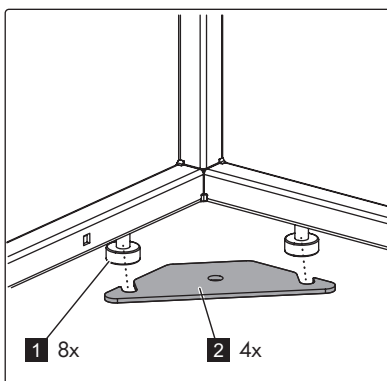
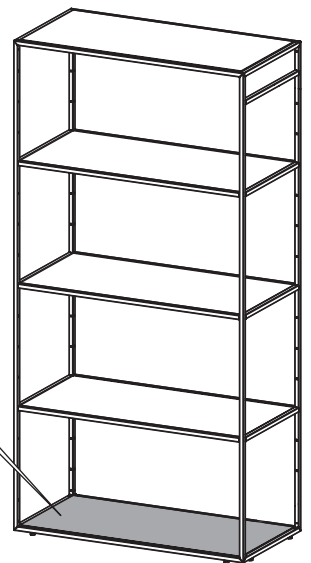
! For mid-room constructions, with a minimum height of 1000 mm/39.370", a fastening to the floor is prescribed in accordance with DIN EN 16121:2013.

If a connection to the floor via a fastening set is not possible, a converter bottom must be used.

Unscrew all the glides (1) slightly. Insert the 4 plates (2) between the glides and the structure. Tighten the glides by hand.

Place the converter bottom (3) on the mounted plates.

- 336-509.07:
368 x 368 mm / 14.488" x 14.488"
- 336-510.07:
768 x 368 mm / 30.236" x 14.488"
- 336-511.07:
1168 x 368 mm / 45.984" x 14.488"

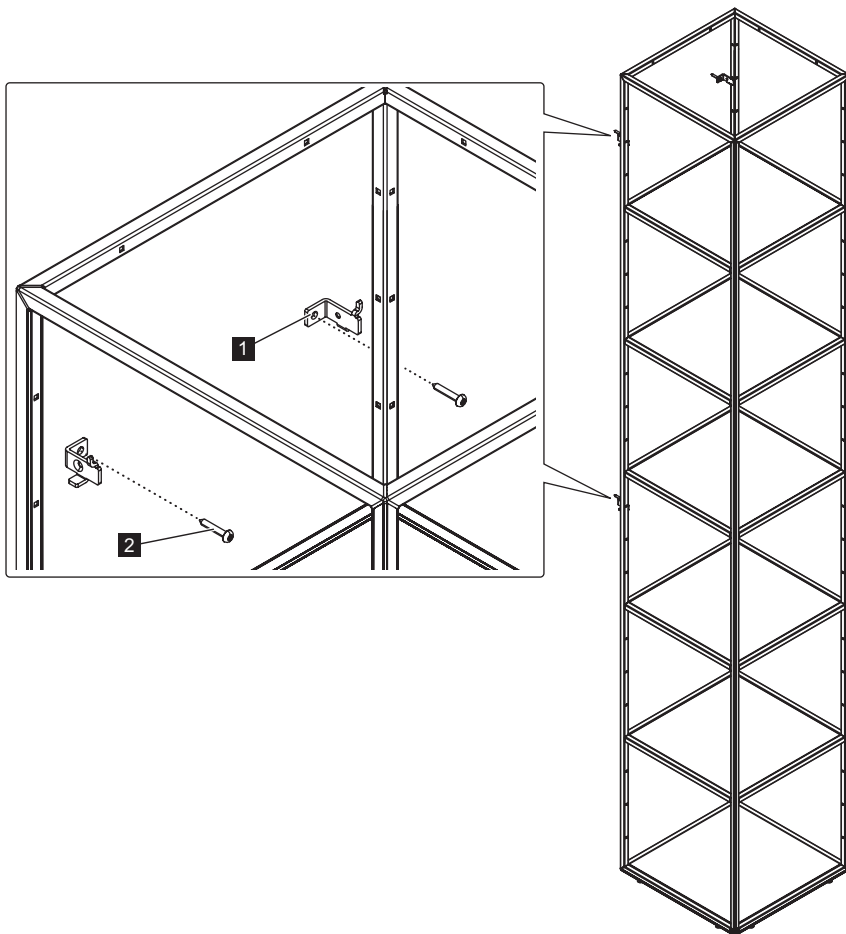


Installation on the wall

The wall construction is to be fastened to the wall with 4 wall mounts. Attach the fastening points as far upwards and directly beneath the middle as possible.

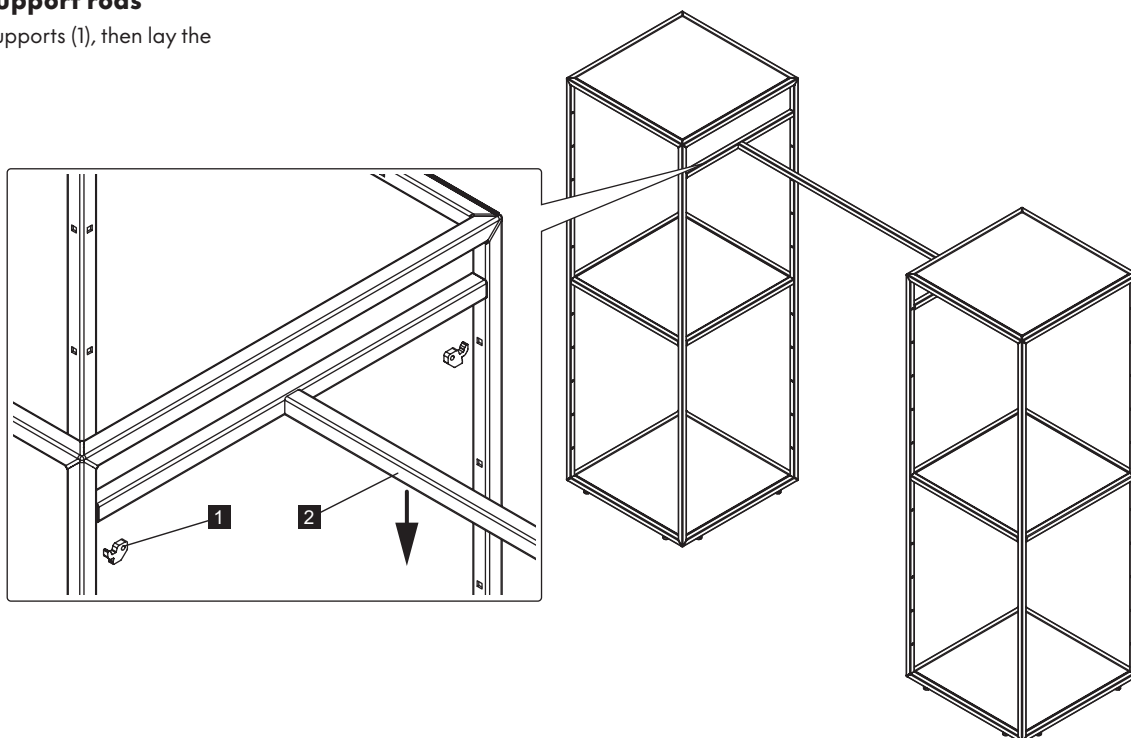
Place the wall mounts (1) in the vertical pipes and screw them into place with screws (2).

! Please observe the information on the loading values and ensure that the substructure of the wall installation and its fastenings can cope with the expected loads.



Installation of the support rods

Mount the shelf element supports (1), then lay the support rods (2) on them.



visplay

www.visplay.com visplay-usa@visplay.com