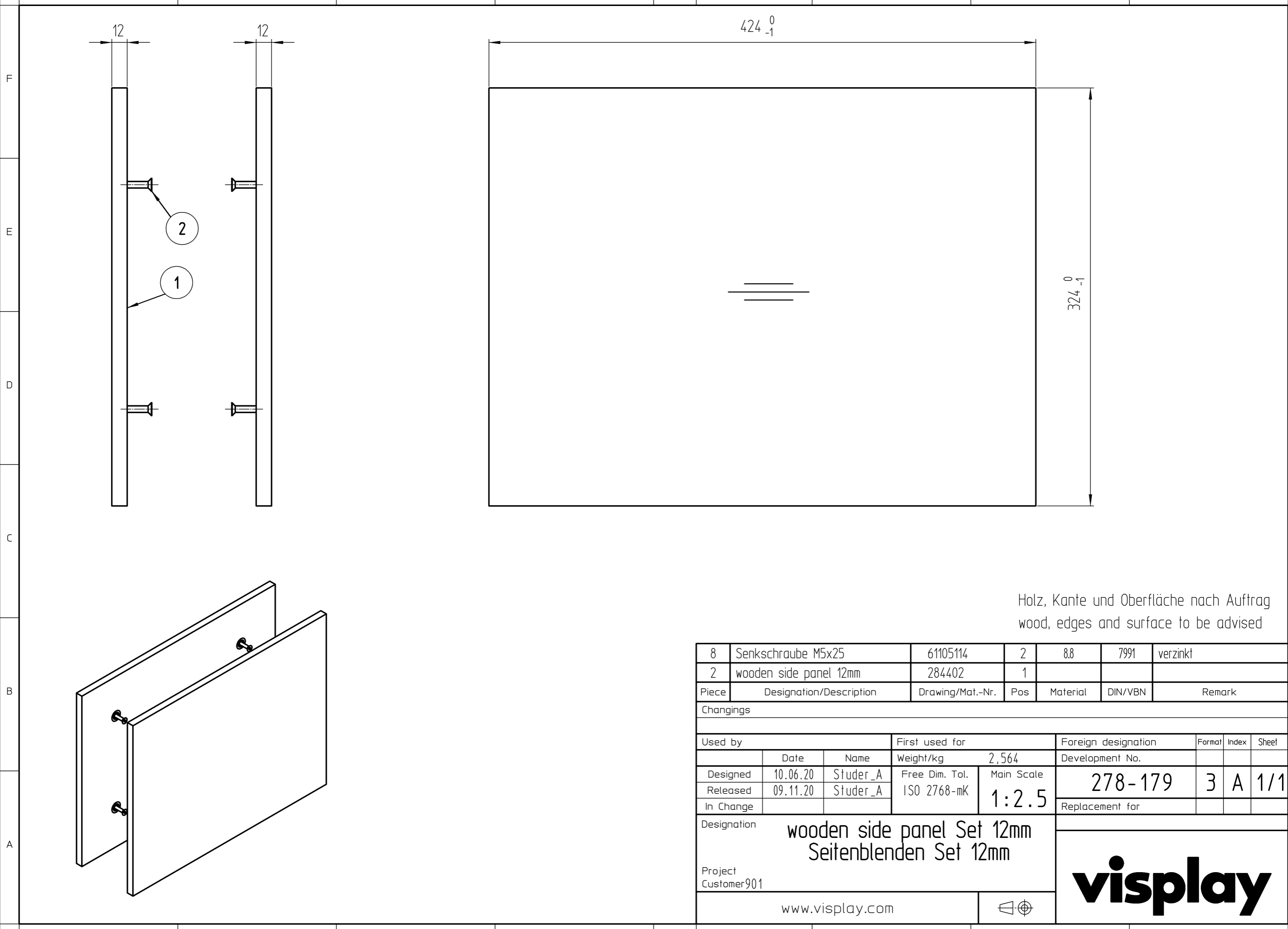


Any intellectual property right subsisting in this drawing is owned by our companies. Transmitting, using or copying without permission is prohibited.
Ohne unsere Genehmigung darf diese Zeichnung weder kopiert noch an Drittpersonen weitergegeben werden.



Holz, Kante und Oberfläche nach Auftrag
wood, edges and surface to be advised

8	Senkschraube M5x25	61105114	2	8.8	7991	verzinkt
2	wooden side panel 12mm	284402	1			
Piece	Designation/Description	Drawing/Mat.-Nr.	Pos	Material	DIN/VBN	Remark

Changings

Used by		First used for		Foreign designation		Format	Index	Sheet
	Date	Name	Weight/kg	2,564	Development No.			
Designed	10.06.20	Studer_A	Free Dim. Tol.	Main Scale	278-179		3	A
Released	09.11.20	Studer_A	ISO 2768-mK	1:2.5				
In Change					Replacement for			

Designation **wooden side panel Set 12mm**
Seitenblenden Set 12mm

Project Customer901

www.visplay.com