

vitra.

BEAM

ASSEMBLY AND OPERATING INSTRUCTIONS

Vitra products are manufactured according to the latest technology and comply with valid rules and regulations. Nevertheless, these products can cause injury or damage if:

- the product is improperly installed
- the product is improperly used
- the product is improperly altered or modified
- original accessories are not used
- the safety regulations are not observed.

⚠ WARNING

Each person involved in the planning, installation and/or use of our products must be carefully read and observe these instructions of use.

The following are of course also valid:

- Relevant accident prevention regulations
- Generally recognized safety rules
- National regulations – please consult Vitra if there is a discrepancy with the Assembly manual

Safety instructions

⚠ WARNING

When playing, children often incorrectly assess danger. You must therefore make sure that your store fittings are not used as toys.

Please pay attention to the following points:

- Structural conditions, in particular the design and bearing capacity of walls, ceilings and floors. If bearing capacity for the specified tractive or pressure load cannot be achieved by suitable fastening or stabilising elements, please refrain from installation.
- All the structural components supplied for stabilising structures are to be used in an unrestricted manner and must not be removed.
- The products may only be loaded after all the installation steps have been completed.
- Merchandise supports should be loaded as evenly as possible.
- Avoid loading in fits and starts.
- The maximum weight loads is to be observed. This can be found in the instructions on assembly and use, as well as in our sales documentation.
- Furniture with castors is generally much more unstable than furniture with glides. Tall, heavy structures on castors should thus be avoided.
- The recommendations of your safety officer should also be observed.

General care for chrome, silk and pearl

In clothing retail applications, frequent dragging of clothes hangers along the surface can cause slight abrasion to their hooks. This effect is most pronounced - more so than with front-on horizontal or inclined-pole displays - where garments are hung side-on such that hangers have to be moved more frequently. To prevent garments from becoming soiled, cleaning of the hanging rods is essential.

This abrasion can be considerably reduced by using a coat hanger cover (scliss, 929-449.02).

No responsibility can be accepted for damage caused by soiling, as the above mentioned abrasion depends on the material of the coathangers in use.

With powder-coated surfaces subject to frequent use, use of special paints is recommended. We will be happy to advise you.

Use and care of merchandise supports with anodised aluminium surfaces

Vitra merchandise supports with anodised aluminium surfaces are hard-wearing. However, the exchange of accessories might cause slight marks on the surface. Accessories with plastic inserts usually cause less wear or none at all.

To remove the marks, we recommend using cleaning agents ranging from pH 5–8 (do not use any detergents with acidic or alkaline reaction). Clean by washing the surfaces using a sponge and water containing a wetting agent. Then remove any loose or greasy dirt. Rubbing off the surfaces with detergent using pure cotton waste or porous cleaning tissue and applying the necessary pressure in rubbing direction will remove the marks.

Aluminium profiles with widths exceeding 200 mm must be subjected to abrasive cleaning using detergents specifically developed for this purpose. The cleaning agents developed for abrasive cleaning contain very finely ground neutral polishing agents and have to be adapted to the oxide layer. Alternatively, cleaning can be carried out using an abrasive fibrous web (e.g. Scotch-Brite, type A, red, fine or very fine) in combination with a non-abrasive detergent.

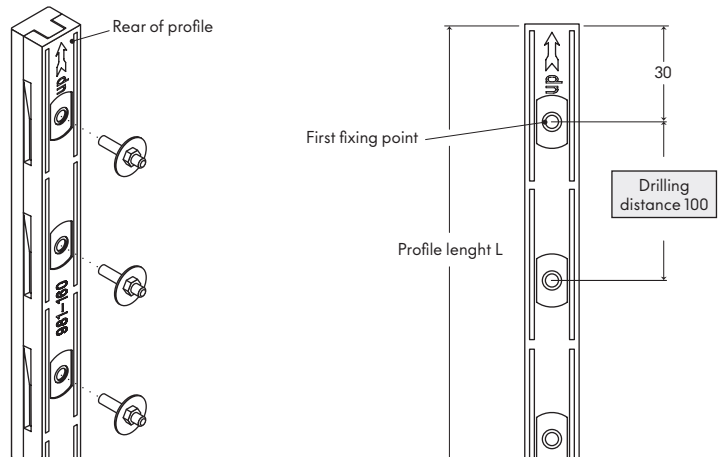
Subsequently, residual cleaning agents should to be rinsed off using a sponge and clear water. Then rub off the part with a chamois.

Assembly dimensions / Layout

ⓘ Please observe the indications concerning weight loading and ensure that the substructure of the uprights and furniture as well as their fixings can support the expected loads.
With the installation in glass tempered glass must be used.

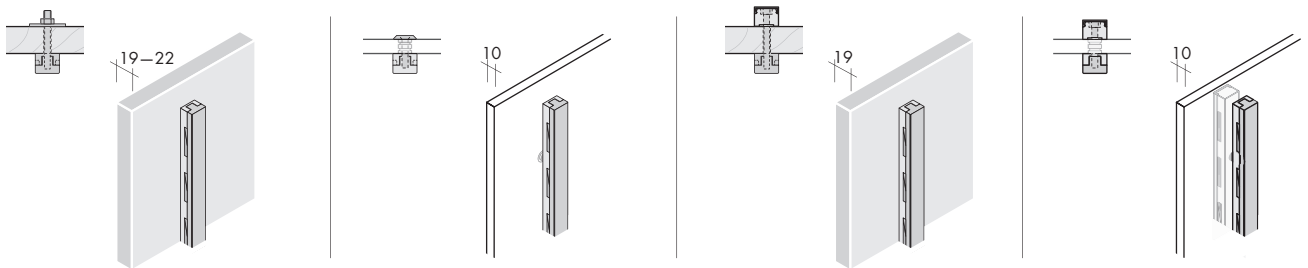
Assembly dimensions Beam profile

The bore or thread space is 100 mm. Use all fastening points (spaced 100 mm) when screw-fastening the profiles. The first point is located 30 mm below the upper profile end. To ensure that the entire back surface of the profiles has contact after assembly, the assembly base must be even and smooth. Pay attention that all fastening screws are screwed into the aluminium profile thread at least 7 mm. Use screws with special lengths for assembly to back walls with deviating thicknesses.



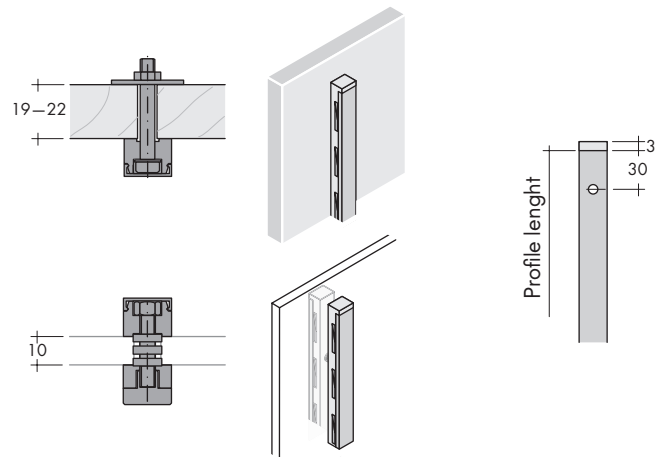
ⓘ Take care to assemble the profile in the correct direction (upwards). Beam profiles can be cut to size.
Important: Always shorten profiles from the bottom up.

Assembly examples Beam profile



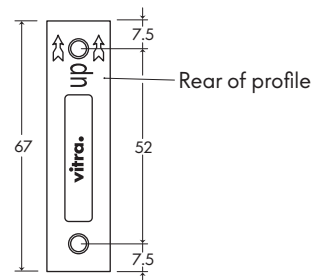
Beam profiles for gondolas

Gondola profiles are available in length of 1200 mm for use in centre-floor furniture. These have a semi-transparent cover on the upper profile end.

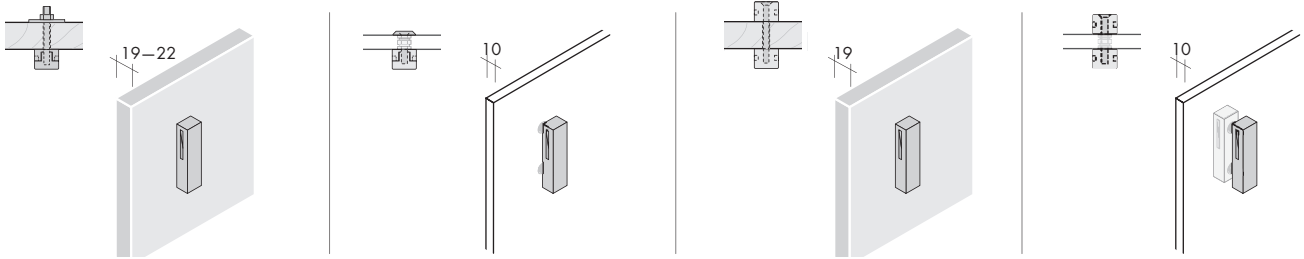


Assembly dimensions Beam 67

ⓘ Take care to assemble the profile in the correct direction (upwards).



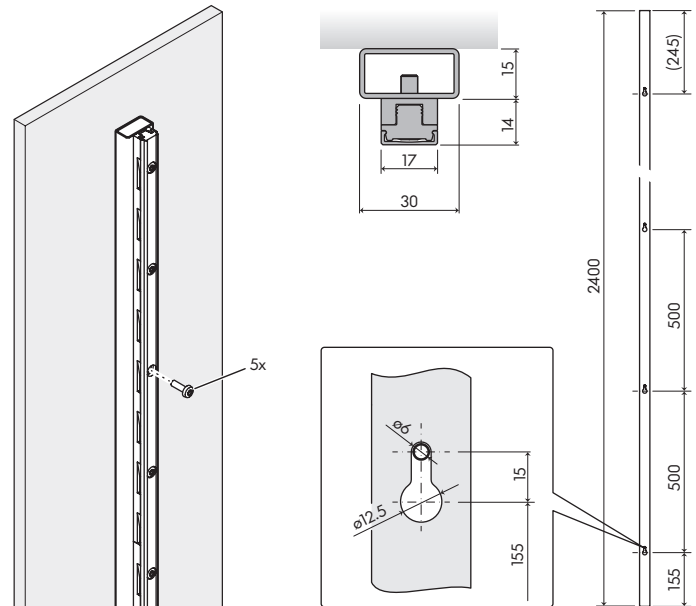
Assembly examples Beam 67



Assembly dimensions Beam profile for attachment from the front

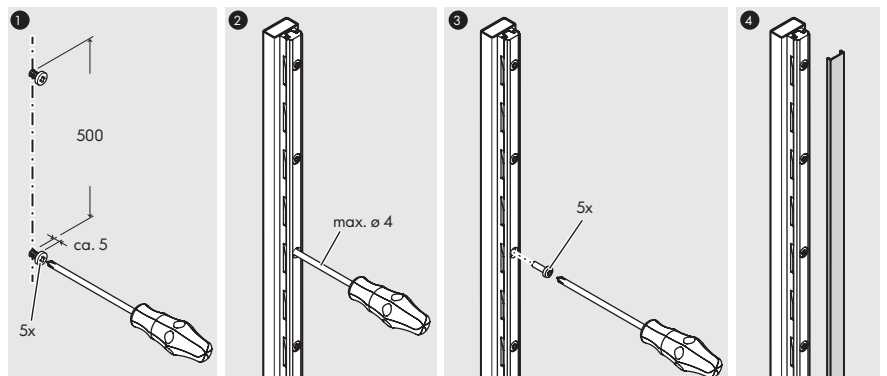
The bore or thread space is 500 mm. Use all fastening points (spaced 500 mm) when screw-fastening the profiles. The first point is located 155 mm above the lower profile end. Use screws with special lengths for assembly to back walls with varying thicknesses; recommended: panhead screws with head diameter max. 12 mm. Pay attention that the enclosed screws (5 pcs.) are screwed into the aluminium profile after wall mounting.

! Take care to assemble the profile in the correct direction (upwards). Beam profiles can be cut to size. Important: Always shorten profiles from the bottom up.



Assembly instructions for the Beam profile for attachment from the front

1. Drill 5 holes at **500 mm** intervals. Tighten mounting screws and leave them protruding by approx. **5 mm** (note: to select the right fixtures, see below "Front assembly on different surfaces").
2. Hook the Beam profile over the screws. Tighten the screws through the holes in the profile. The diameter of the tool must not exceed **4 mm**.
3. Screw the supplied screws (5 pcs.) into the profile.
4. Fit the profile cover.



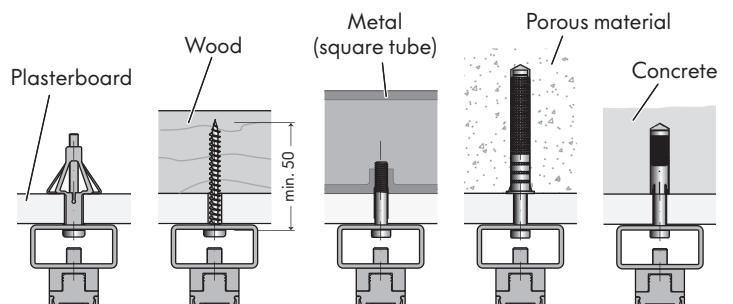
Front assembly on different surfaces

The Beam profile for attachment from the front can be mounted on different wall types. The max. weight load of the profile depends on the nature of the wall, on the number of fixation points as well as on the fixation material used. With wooden substructures, a screw length of min. 50 mm must be observed.

Please observe the instructions supplied by the dowel manufacturer.

For mounting on gypsum, the following dowels are recommended (manufacturer Hilti):

- Hollow toggle plug HTB-S M5x60
- Hollow plug HHD-S M5/12x52

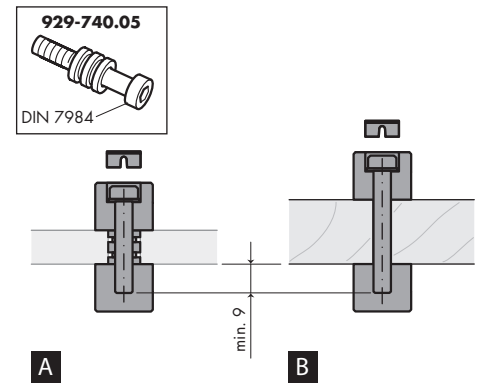


Double-sided assembly

Beam profiles can be fixed to glass **(A)** (10 mm) on both sides with invisible screw connections. The fixing set for glass panels 929-740.05 is to be used (drill holes in glass panel \varnothing 10 mm).

Double-sided screw connections are also possible on wood **(B)**. The screw length depends on the thickness of the wood and must be determined by the customer (e.g. panel 16 mm to 19 mm \rightarrow M5x35, DIN7984).

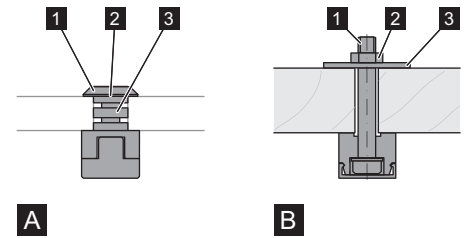
Beam 67 is supplied with standard screws for 19 mm wood, or 10 mm glass. Please be ensured that the fixation bolts with min. 9 mm are screwed into the profile.



Beam profiles for rear assembly on glass or wooden panels

- on glass panel **(A)**:
Beam profiles are fixed on to glass panels (10 mm) with countersunk screws (1), washers (2) and plastic sleeves (3).
Drill holes of \varnothing 10 mm are to be provided for in the panel.

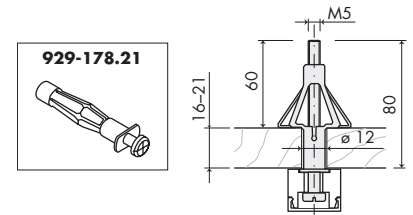
- on wooden panels **(B)**:
Beam profiles are fixed on to the panel (19–22 mm) with set screws (1), nuts (2) (M5) and washers (3).
Drill holes of \varnothing 6 mm are to be provided for in the panel.



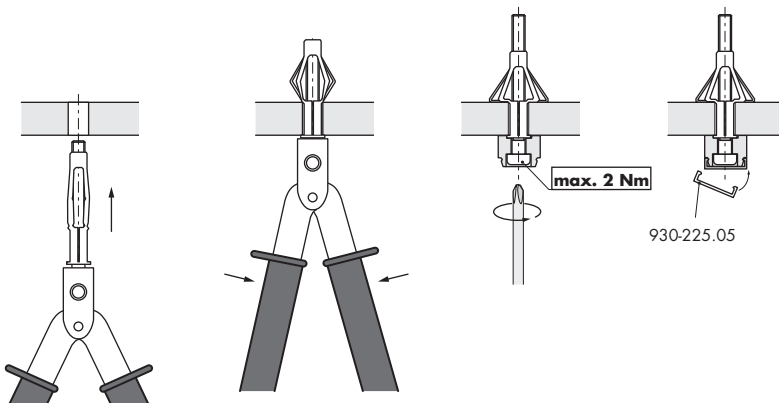
Front attachment to cavity walls

For front attachment to cavity walls, the fixing set 929-178.21 is to be used.

- Drill \varnothing 12 mm hole.
- Insert cavity dowel (fixing set 929-178.21) using pliers (Recommendation: Cavity pliers HM z1 from Fischer®) and expand.
- Unscrew the pre-assembled screw.
- Add Beam profile and secure with aforementioned screw.
- Assembly has been correctly completed when the screw has been tightened up as far as possible (2 Nm).



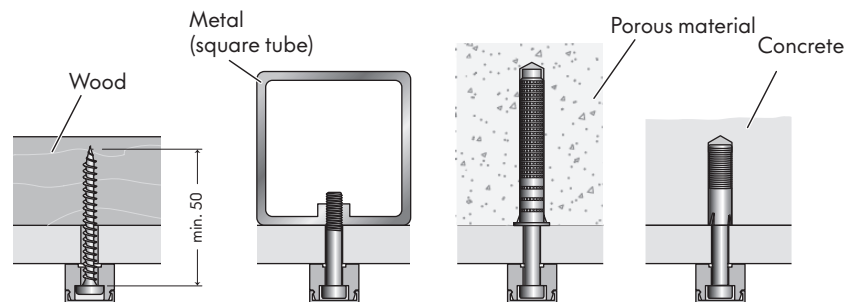
! When using the fixing set (929-178.21), the max. permissible weight per front arm is reduced to 15 kg.



Additional use of Fischer® (www.fischerfixingsusa.com) adhesive enables full weight loads - once it has hardened. The Beam Profile must be fitted immediately after the adhesive has been applied. The screw can then be turned in the liquid - and not hardened - adhesive.

Front assembly on other surfaces

The Beam profile can be mounted on different wall types. The max. weight load of Beam depends on the nature of the wall as well as on the fixation material used. With wooden substructures, a screw length of min. 50 mm must be observed. Please observe the instructions supplied by the dowel manufacturer.



Assembly of cover profile

Insert one side of the cover profile into the groove of the Beam profile and snap the other side into place through pressure or with light blows from a large rubber hammer. Apply blows evenly along the cover profile as otherwise it could be damaged.

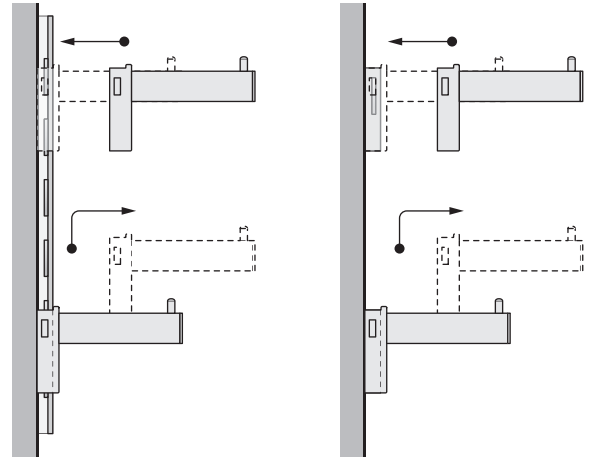


- ⓘ The cover profile is to be secured in place with adhesive (silicone).
Attention: Once a cover profile has been assembled, it cannot be removed without being damaged.

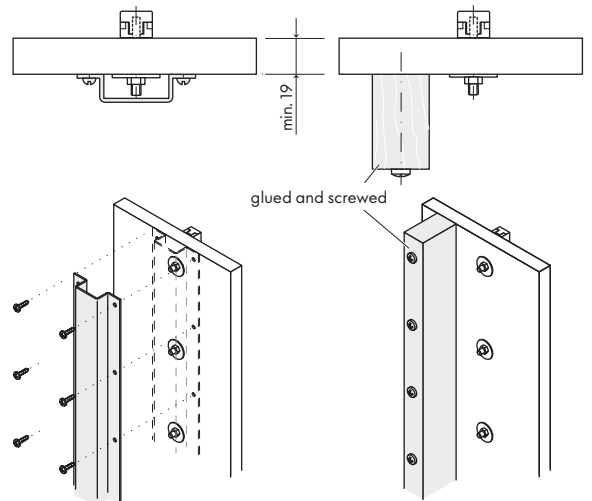
Instructions of use/Care

Beam accessories can be vertically adjusted at a pitch of 50 mm.

- ⓘ Please observe that the accessories must be relieved of any load when adjusting the height. It is thus recommended that the accessories are moved with two hands.

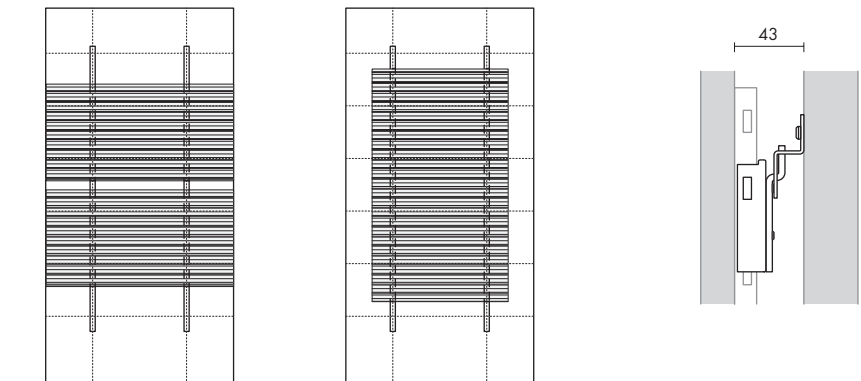


Single-sided and double-sided Beam profiles can be screwed on wooden panels (19–22 mm), glass panels (10 mm) or plexiglass panels. Panels and sub-structures must be toughened against bowing. Wooden ledges or angle sections are suitable for this purpose.



Fixing set for Beam profiles

To be screwed to the back of wooden panels.



Weight loading

ⓘ The max. weight loading depends on the nature of the wall, on the number of fixation points as well as on the fixation material used. At least 10 fixation points are necessary per metre of Beam profile.
 The indicated weight loads for the Beam accessories are always based on the total weights of the merchandise support and goods.
 Please observe that the inclination of the merchandise support changes with an increase in load. Different weights on the merchandise supports produce an uneven overall appearance of the goods display.
 Please also observe the weight loads indicated in our sales documentation.

Max. load

Profile	per 1000 mm	75 kg
Profile Beam 67		20 kg
Front arm Ø 12 mm		10 kg
Front arm Ø 25 mm		20 kg
Front arm 30 x 15 mm		20 kg
Front arm 20 x 10 mm		10 kg
Support bracket Ø 25 mm for wooden or glass shelf		20 kg
Support bracket 25 x 4 mm for wooden or glass shelf		20 kg
Hanging rail 30 x 15 mm, 600 mm T arm		10 kg
Hanging rail Ø 15 mm, 390 mm T arm		10 kg
Hanging rail Ø 25 mm, 600 mm T arm		20 kg
Hat bar		3 kg
Hook rail for ties, belts etc.		10 kg
Clamping bracket for glass shelf	per bracket	15 kg
Bracket for hanging rail 30 x 15 mm, oval	per bracket	20 kg
Bracket 20 x 4 mm for hanging rail	per bracket	10 kg
Bracket 20 x 4 mm for wooden shelf	per bracket	10 kg
Bracket 25 x 5 mm for hanging rail 30 x 15 mm	per bracket	20 kg
Bracket 30 x 5 mm for wooden or glass shelf	per bracket	20 kg
Bracket Ø 12 mm for hanging rail Ø 15 mm	per bracket	10 kg
Bracket Ø 12 mm for wooden or glass shelf	per bracket	10 kg
Bracket Ø 25 mm for wooden or glass shelf	per bracket	20 kg
Bracket Ø 25 mm for hanging rail Ø 25 mm	per bracket	20 kg
Bracket Ø 25 mm for hanging rail Ø 25 mm and shelf	per bracket	20 kg
Universal support bracket	per bracket	20 kg
Fixing set		20 kg

vitra.