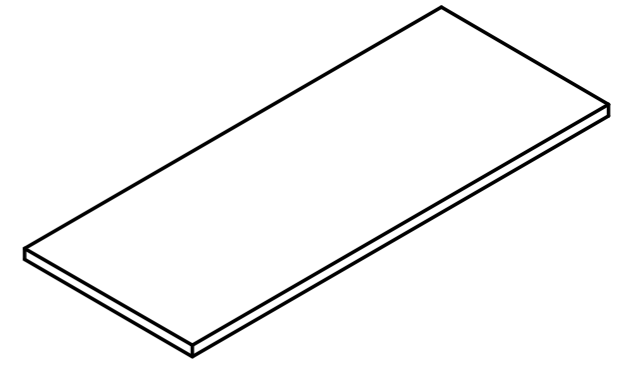
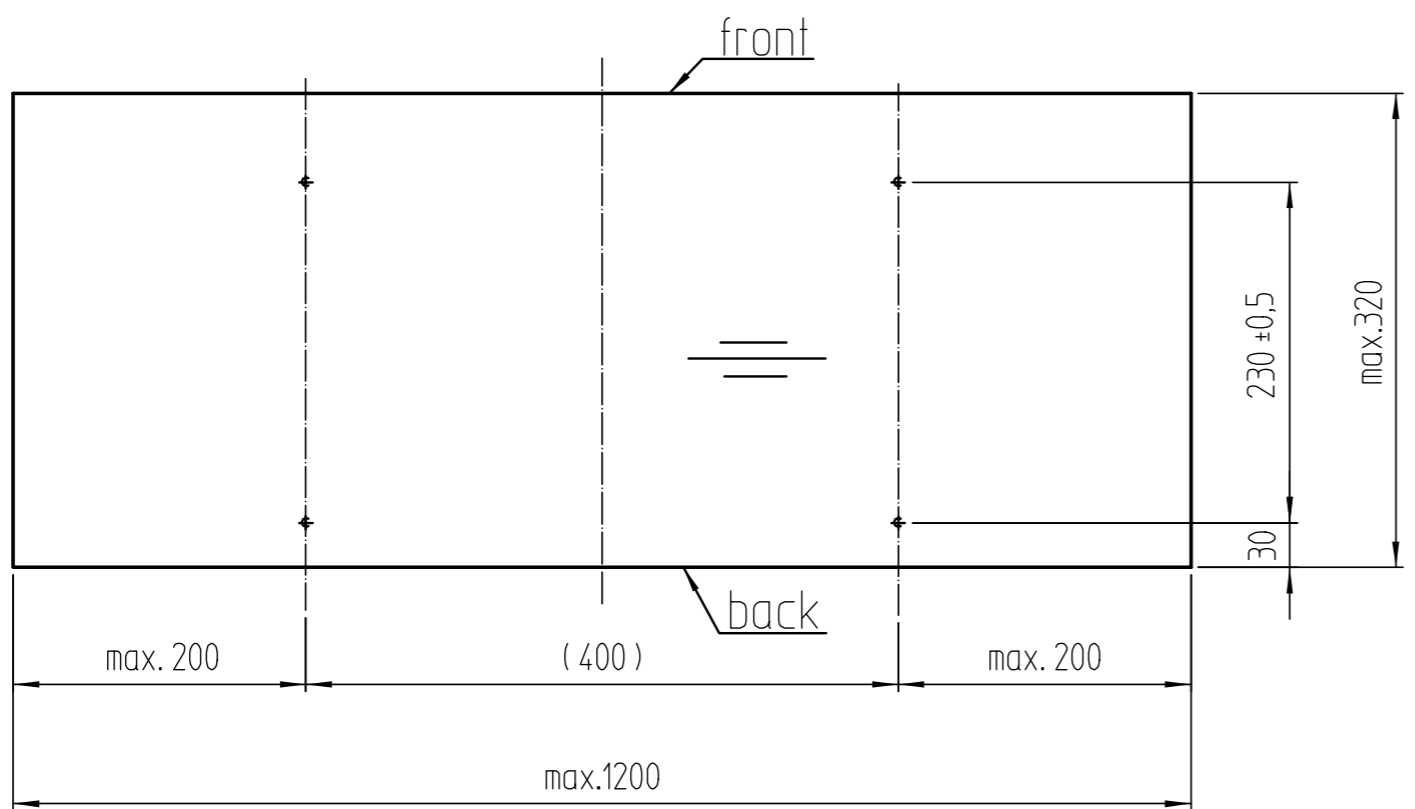
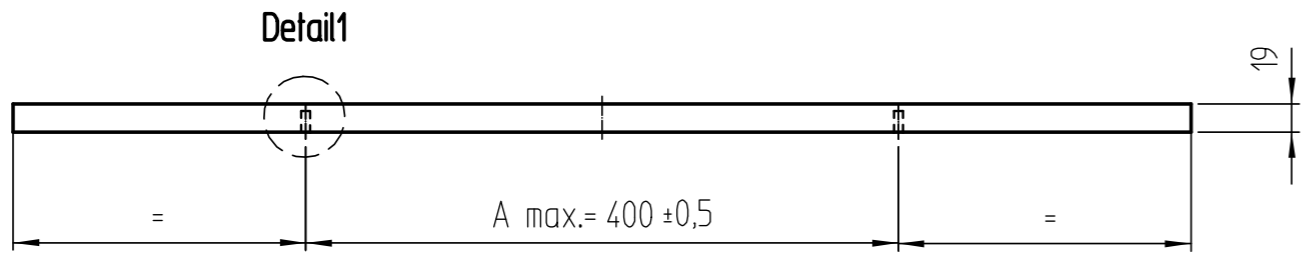


Any intellectual property right subsisting in this drawing is owned by our companies. Transmitting, using or copying without permission is prohibited.

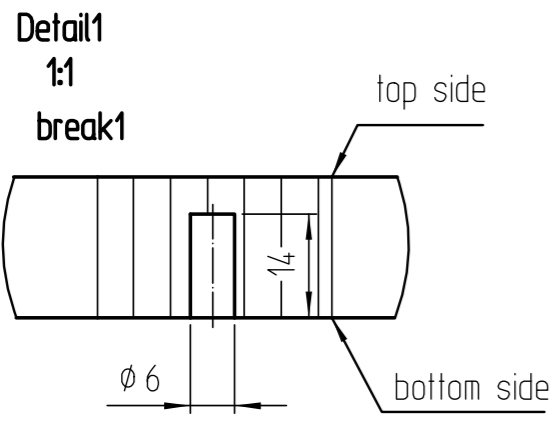
8 7 6 5 4 3 2 1



round off all edges users contact at least with radius of R2

plate material, surface and edges according to the order

drawn: 795x320x19



Piece	Designation /Description	Drawing/Mat.-Nr.	Pos	Material	DIN/VBN	Remark
Changings	E Maß 30 war 45 / Hinweistext hinzugefügt				Buerqin_	21.10.11
	D Maßangaben und Bezeichnung geändert				Hurst_R	07.10.08
Used by	VK	First used for	VK	Foreign Designation	Format	Index
	Date	Name	Wheight/kg	Development No.		
Designed	09.11.00	uecker	Free Dim. Tol.	Main Scale	286-612	3 E 1
Released	21.10.11	Buerqin_	HT 25	1:5		
In Change					Replacement for	
Designation				wooden shelf		
				max.1200 x max.320 x 19		
Projekt 81.120 Customer 901						
www.visplay.com						

8 7 6 5 4 3 2 1